

BIG DOOR



METALSTAMPI

INSPECTION HATCHES

BIG DOOR

1

Frame made out of self-supporting aluminium tube.

2

Wall-mounted.

3

Fastened laterally onto the vertical framing members.

4

Product structured for large openings

5

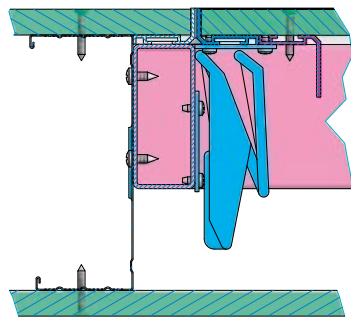
Smooth surfaces to slip into cavity.

6

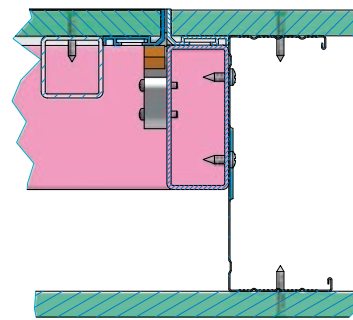
Applicable on plasterboard 12.5 mm thick.

7

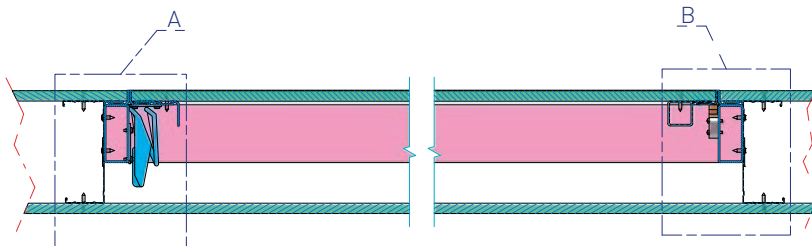
Non-removable door, rotates to open up to 165°.



A
(1:2)



B
(1:2)



Section BIG DOOR
(1:5)

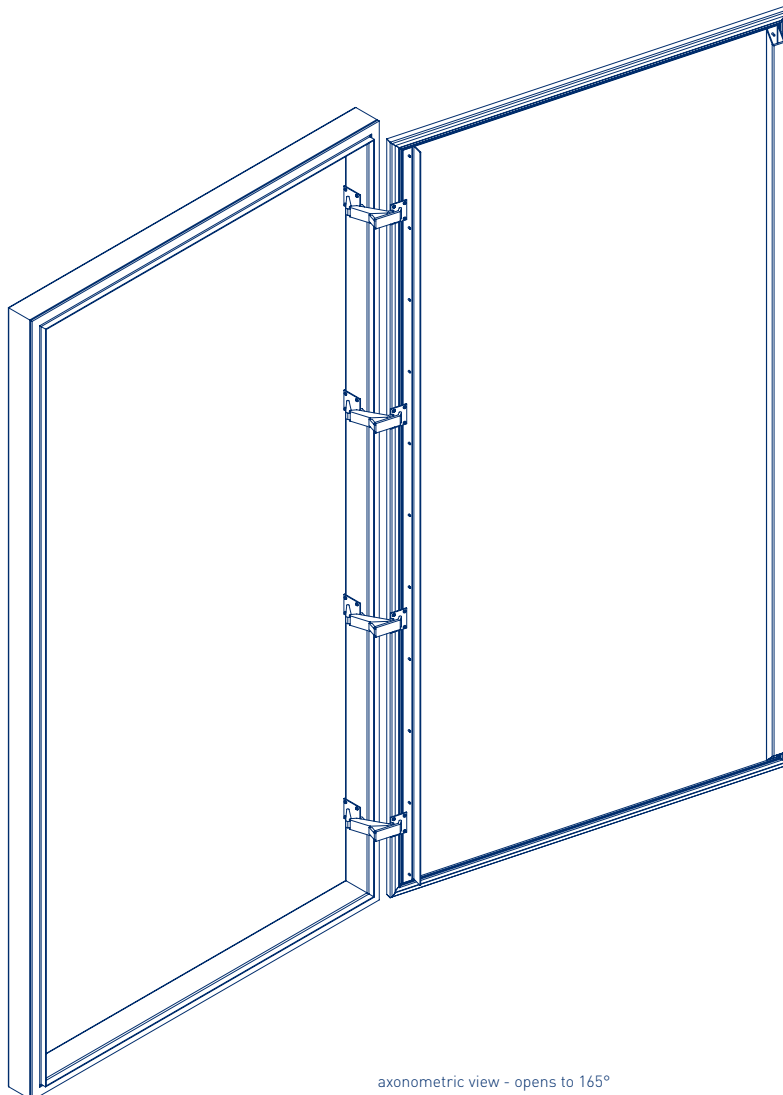
BIG DOOR PLASTERBOARD INSPECTION HATCHES (NON-REMOVABLE DOOR OPENS UP TO 165°)

Product built out of extruded aluminium 2 mm thick in compliance with EN 755-1, EN 755-2 and EN 573-3 standards, galvanized steel 1.5 mm thick in compliance with EN 10143 and EN 10346 standards, standard plasterboard in compliance with EN 520 standards, to be used as a finish and closing element, which opens with a vertical rotation motion to 165°, to allow inspection of the 12.5-15-25 mm thick plasterboard surfaces. To install the hatch on the plasterboard surfaces, after securing the plasterboard panel to the aluminium frame of the inspection hatch, the latter must be screwed onto the vertical members of the metal framing, using self-piercing screws. The door opens by pushing it inwards towards the airspace of the hatch, activating the automatic ejection mechanism.

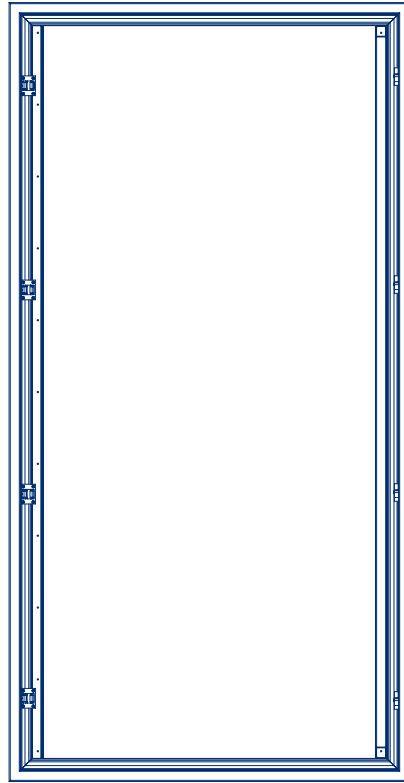
STANDARD T=12.5

Description	Dimensions and thickness mm	Kg per pkg.	Application	Sales Unit
plasterboard inspection hatch with standard panel, non-removable door, rotates to open to 165°	net clearance B x H t 12.5		ceiling wall	
BD004001400	400x1400	9.29		1 pc.
BD006001600	600x1600	15.92		1 pc.
BD008001800	800x1800	23.89		1 pc.
BD010002000	1000x2000	33.18		1 pc.

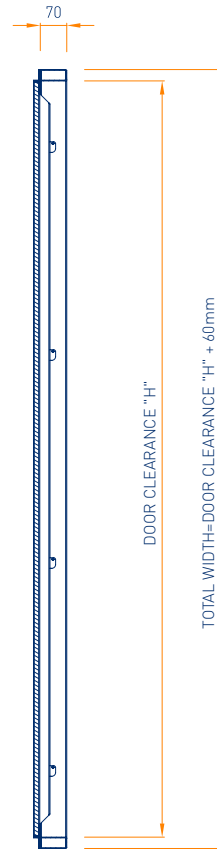
may be fitted with water-resistant plasterboard panel upon request



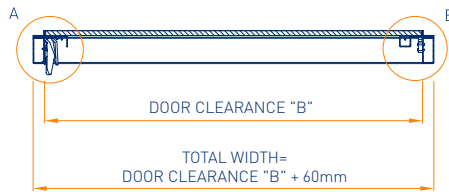
axonometric view - opens to 165°
scale 1:20



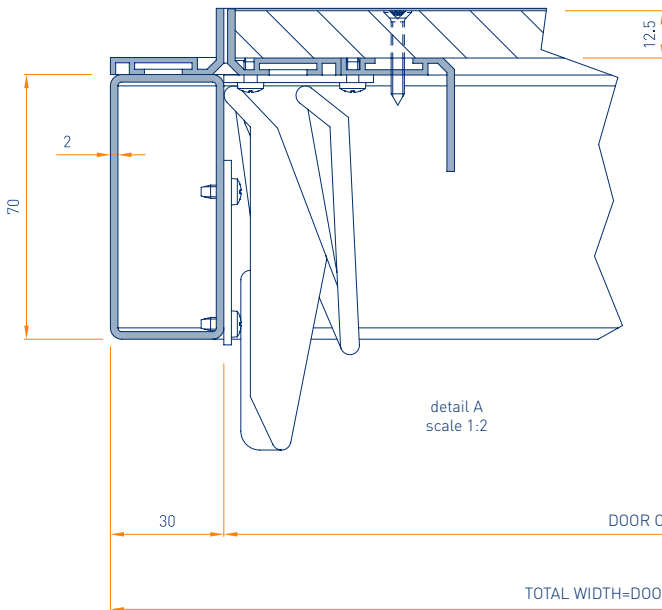
frontal view
scale 1:20



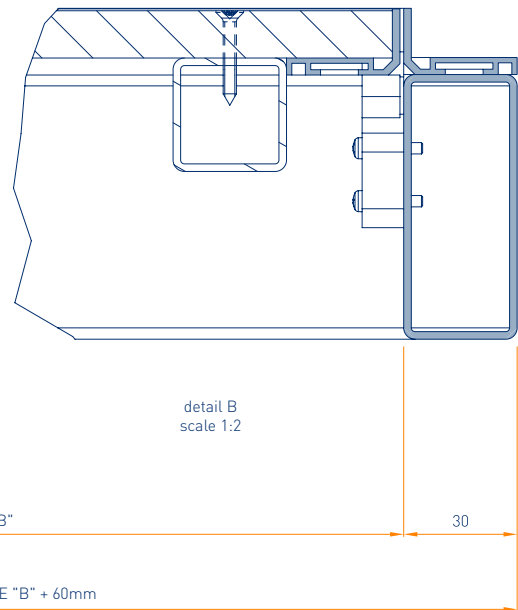
side view
scale 1:20



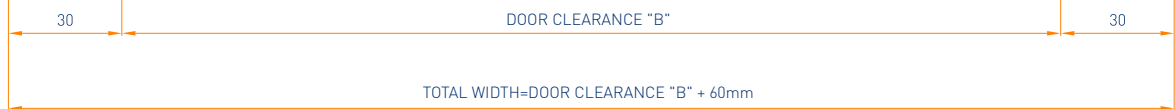
plan view
scale 1:20



detail A
scale 1:2



detail B
scale 1:2



plan view
scale 1:2

IMPORTANT RECOMMENDATIONS FOR USING AND STORING PRODUCTS

CE Marking

Please note that each product is part of a hanging/connection kit, to connect to the upper anchoring system and to the supporting element in dry construction systems **for use inside buildings**. The various components are identified in the catalogue and price list with the CE logo.

Each product has a Declaration of Performance (DOP).

Fire rating: class A1.

Durability: class B (Components of a building exposed to variable relative humidity up to 90% and to variable temperatures up to 30°C but **with no exposure to corrosive pollution agents, except for products in class C5-M**).

Recommendations for storing metal framing elements

Store packages in a covered area with a relatively dry atmosphere and as constant a temperature as possible, to avoid condensation that could consume the passivation coat protecting the galvanized surface.

In case of outdoor storage (**discouraged**), please cover so as to ensure perfect protection of the material against adverse weather conditions (rain, fog, snow), making sure to store the packages in a slightly inclined position. The cover must however ensure sufficient airflow (the two surfaces must not be in direct contact) so that moisture does not settle and create condensation.