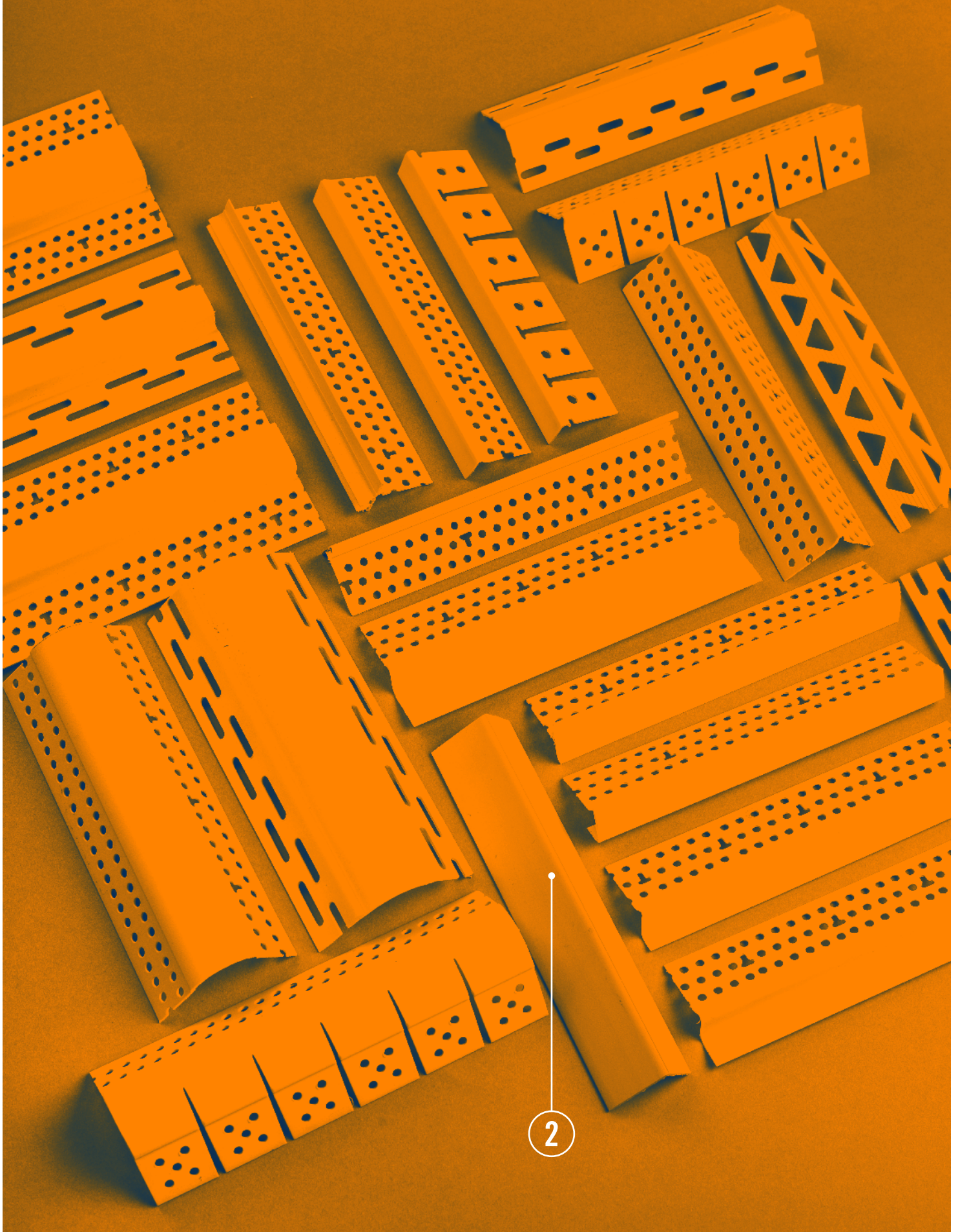

DECORATIVE PROFILES PVC



METALSTAMPI

DECORATIVE PROFILES PVC



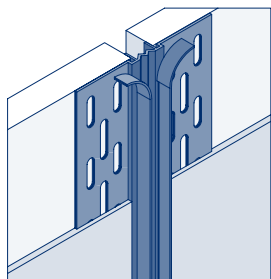
STRENGTHS

- 1 — Simple installation on site (positioned against the cladding and stapled into place).
- 2 — Wide range of products for every type of finish.
- 3 — Easy to transport to the work site.

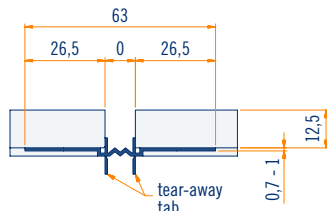


STEEL AND PVC EXPANSION BEAD

Item	Description	Dimension and thickness	Weight per package	Application	Sales unit
PC00003755	steel and pvc expansion bead	l 3050 s 0.7 - 1	17.00	suspended ceiling double wall wall	25 pieces 76.25 ml



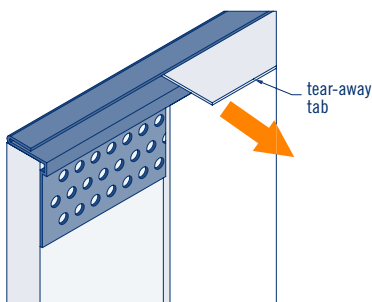
axonometric view scale 1:2



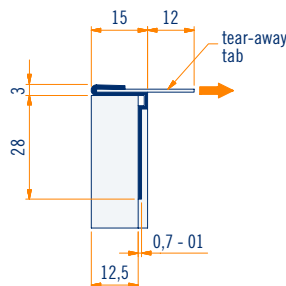
section scale 1:2

PVC EDGE BEAD

Item	Description	Dimension and thickness	Weight per package	Application	Sales unit
PC00003766	pvc edge bead	l 3000 s 0.7 - 1	10.00	suspended ceiling double wall wall	35 pieces 105.00 ml



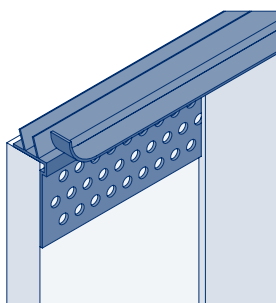
axonometric view scale 1:2



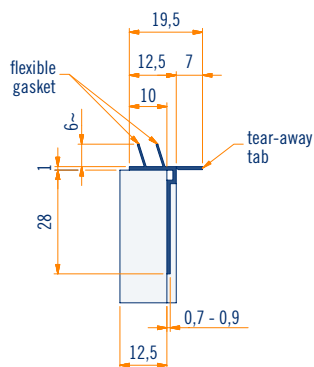
section scale 1:2

PVC EDGE BEAD WITH FLEXIBLE GASKET

Item	Description	Dimension and thickness	Weight per package	Application	Sales unit
PC00003784	pvc edge bead with flexible gasket	l 3000 s 0.7 - 1	10.00	suspended ceiling double wall wall	35 pieces 90.00 ml



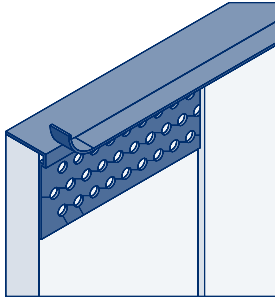
axonometric view scale 1:2



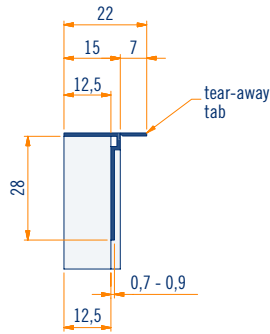
section scale 1:2

PVC EDGE BEAD WITH TEAR-AWAY TAB

Item	Description	Dimension and thickness	Weight per package	Application	Sales unit
PC00003785	pvc edge bead with tear-away tab	l 3050 s 0.7 - 0.9	19.00	suspended ceiling double wall wall	50 pieces 152.50 ml



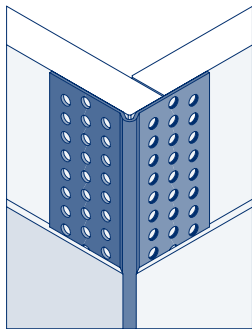
axonometric view scale 1:2



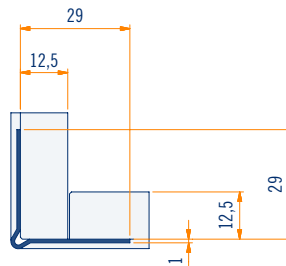
section scale 1:2

PVC CORNER BEAD

Item	Description	Dimension and thickness	Weight per package	Application	Sales unit
PC00003763	pvc corner bead	l 3050 s 1	22.00	suspended ceiling double wall wall	50 pieces 152.50 ml



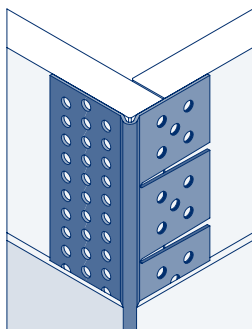
axonometric view scale 1:2



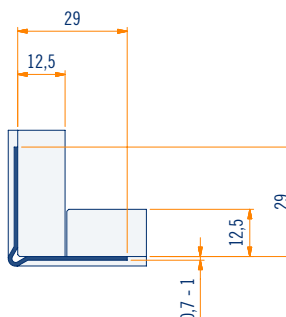
section scale 1:2

PVC FLEX CORNER BEAD

Item	Description	Dimension and thickness	Weight per package	Application	Sales unit
PC00003767	pvc flex corner bead	l 3000 s 0.7 - 1	7.00	suspended ceiling double wall wall	20 pieces 60.00 ml



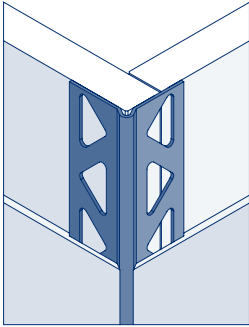
axonometric view scale 1:2



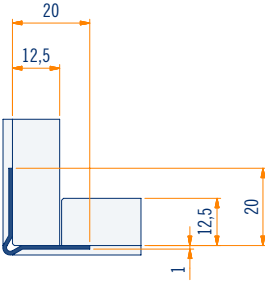
section scale 1:2

PVC CORNER BEAD WITH VARIABLE ANGLE

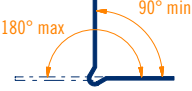
Item	Description	Dimension and thickness	Weight per package	Application	Sales unit
PC00003751	pvc corner bead with variable angle	l 2x50000 s 1	7.00	suspended ceiling double wall wall	2 rolls 2x50.00 ml



axonometric view scale 1:2



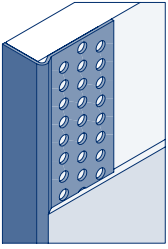
section scale 1:2



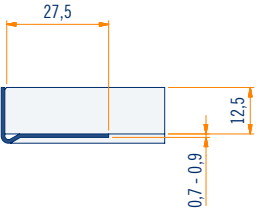
variable angle 90° - 180°

PVC EDGE BEAD

Item	Description	Dimension and thickness	Weight per package	Application	Sales unit
PC00003786	pvc edge bead	l 3050 s 0.7 - 0.9	35.20	suspended ceiling double wall wall	80 pieces 244.00 ml



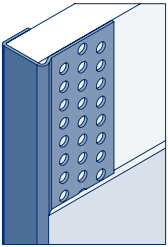
axonometric view scale 1:2



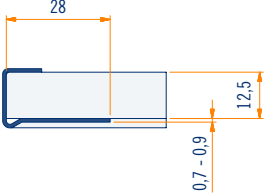
section scale 1:2

PVC J-BEAD

Item	Description	Dimension and thickness	Weight per package	Application	Sales unit
PC00003787	pvc J-bead	l 3050 s 0.7 - 0.9	19.00	suspended ceiling double wall wall	50 pieces 152.50 ml



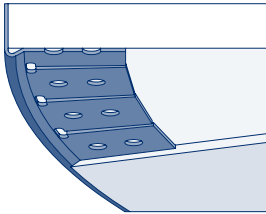
axonometric view scale 1:2



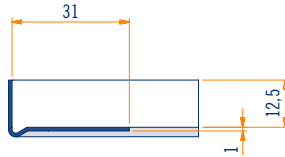
section scale 1:2

PVC FLEX ARCH BEAD

Item	Description	Dimension and thickness	Weight per package	Application	Sales unit
PC00003768	pvc flex arch bead	l 3000 s 1	5.00	suspended ceiling double wall	20 pieces 60.00 ml



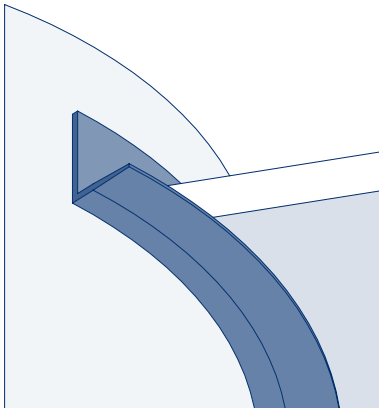
axonometric view scale 1:2



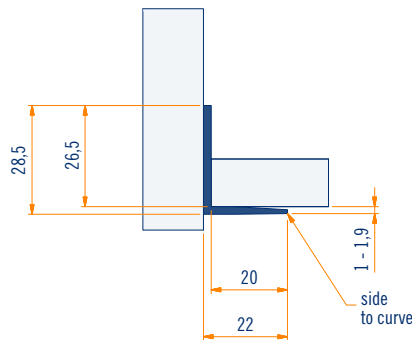
section scale 1:2

PVC PERIMETER FLEX FRAME

Item	Description	Dimension and thickness	Weight per package	Application	Sales unit
PC00003769	pvc perimeter flex frame	l 2500 s 1 - 1.9	4.00	suspended ceiling double wall wall	10 pieces 25.00 ml



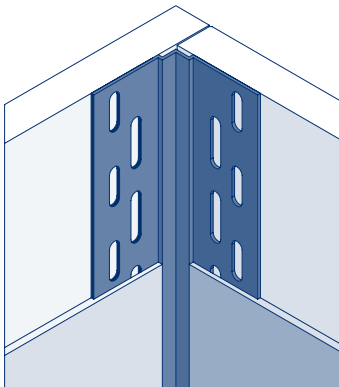
axonometric view scale 1:2



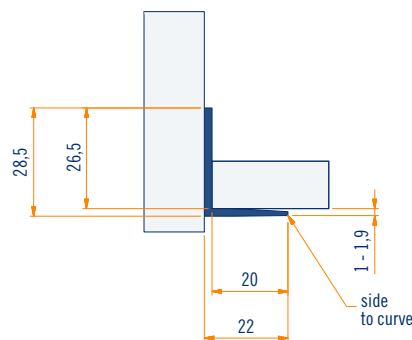
section scale 1:2

PVC FLEX INSIDE CORNER BEAD

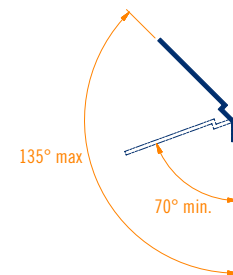
Item	Description	Dimension and thickness	Weight per package	Application	Sales unit
PC00003770	pvc flex inside corner bead	l 3050 s 0.7 - 1	16.00	suspended ceiling double wall wall	70 pieces 213.50 ml



axonometric view scale 1:2



section scale 1:2

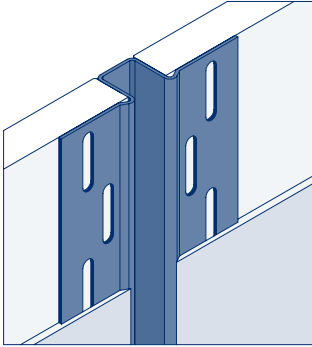


variable angle 70° - 135°

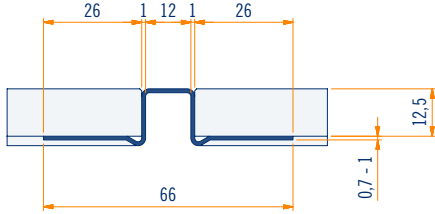
PVC SQUARE DECORATIVE REVEAL BEAD

WIDTH 12 - 20 - 25 MM

Item	Description	Dimension and thickness	Weight per package	Application	Sales unit
PC00003772	pvc square decorative reveal bead width 12 mm	l 3050 s 0.7 - 1	9.00	suspended ceiling double wall wall	20 pieces 61.00 ml

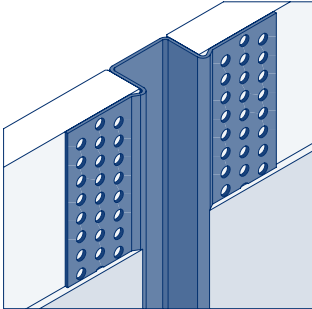


axonometric view scale 1:2

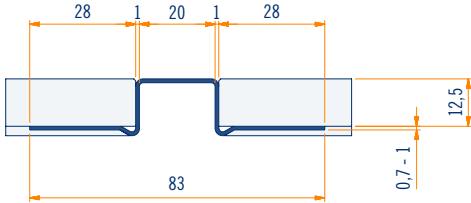


section scale 1:2

Item	Description	Dimension and thickness	Weight per package	Application	Sales unit
PC00003773	width 20 mm	l 3050 s 0.7 - 1	13.00	suspended ceiling double wall wall	15 pieces 45.75 ml

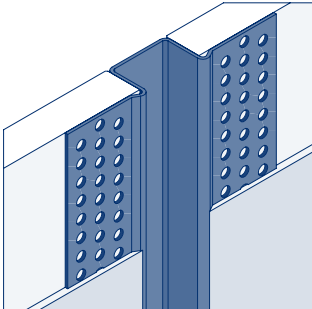


axonometric view scale 1:2

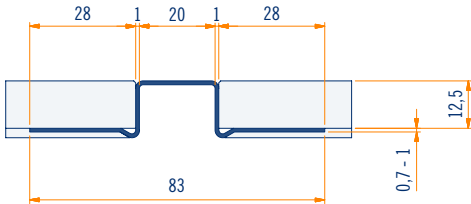


section scale 1:2

Item	Description	Dimension and thickness	Weight per package	Application	Sales unit
PC00003774	width 25 mm	l 3050 s 0.7 - 1.3	16.00	suspended ceiling double wall wall	15 pieces 45.75 ml



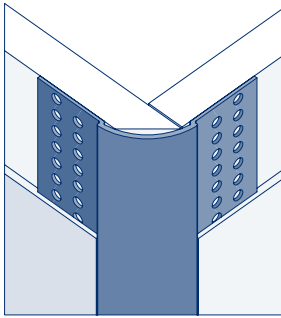
axonometric view scale 1:2



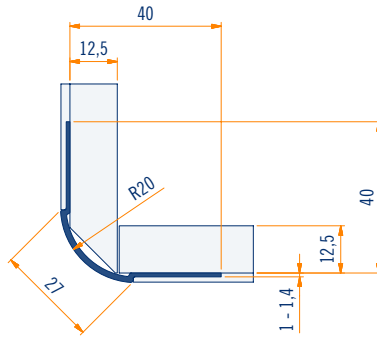
section scale 1:2

PVC BULLNOSE OUTSIDE CORNER BEAD

Item	Description	Dimension and thickness	Weight per package	Application	Sales unit
PC00003776	pvc bullnose outside corner bead	l 3050 s 1 - 1.4	13.00	suspended ceiling double wall wall	35 pieces 106.75 ml



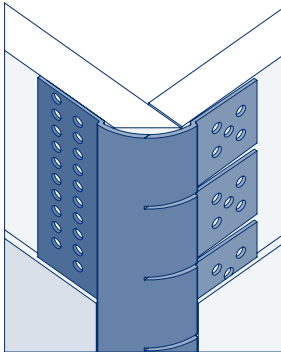
axonometric view scale 1:2



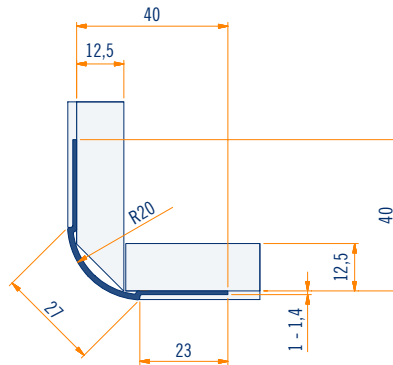
section scale 1:2

PVC BULLNOSE FLEX OUTSIDE CORNER BEAD

Item	Description	Dimension and thickness	Weight per package	Application	Sales unit
PC00003778	pvc bullnose flex outside corner bead	l 3050 s 1 - 1.4	13.00	suspended ceiling double wall wall	35 pieces 106.75 ml



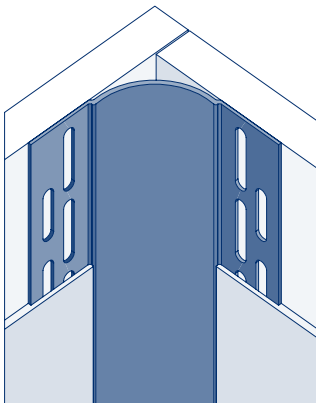
axonometric view scale 1:2



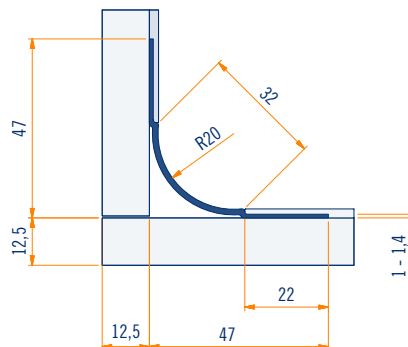
section scale 1:2

PVC FLEX INSIDE CORNER BEAD

Item	Description	Dimension and thickness	Weight per package	Application	Sales unit
PC00003780	pvc flex inside corner bead	l 3050 s 1 - 1.4	15.00	suspended ceiling double wall wall	35 pieces 106.75 ml



axonometric view scale 1:2

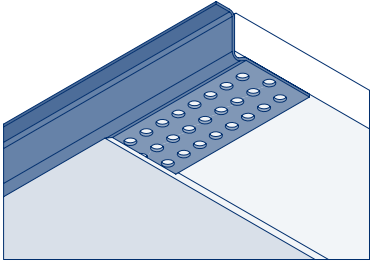


section scale 1:2

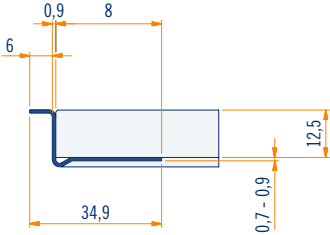
Z-MOLD SHADOW BEAD

WIDTH 6 - 12 - 18 MM

Item	Description	Dimension and thickness	Weight per package	Application	Sales unit
PC00003781	Z-mold shadow bead width 6	l 3050 s 0.7 - 0.9	11.00	suspended ceiling double wall wall	50 pieces 152.50 ml

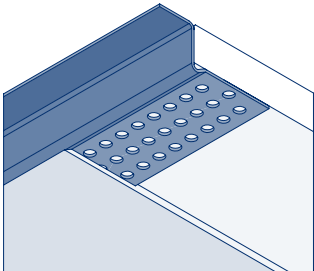


axonometric view scale 1:2

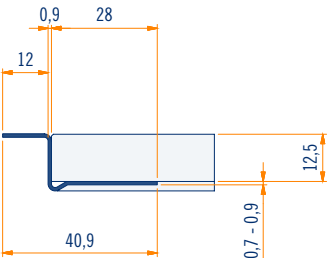


section scale 1:2

Item	Description	Dimension and thickness	Weight per package	Application	Sales unit
PC00003782	Z-mold shadow bead width 12	l 3050 s 0.7 - 0.9	12.00	suspended ceiling double wall wall	50 pieces 152.50 ml

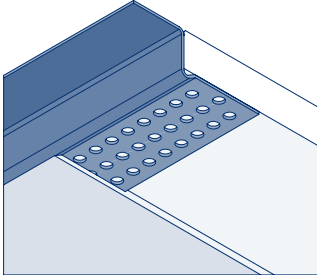


axonometric view scale 1:2

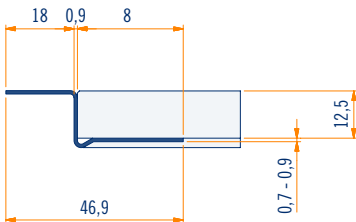


section scale 1:2

Item	Description	Dimension and thickness	Weight per package	Application	Sales unit
PC00003783	Z-mold shadow bead width 18	l 3050 s 0.7 - 0.9	13.00	suspended ceiling double wall wall	50 pieces 152.50 ml



axonometric view scale 1:2



section scale 1:2

IMPORTANT RECOMMENDATIONS FOR USING AND STORING PRODUCTS

CE Marking

Please note that each product is part of a hanging/connection kit for connecting to the upper anchoring system and to the supporting element in dry construction systems **for use inside buildings**. The various components are identified in the catalogue and price list with the CE logo.

Each CE product has a Declaration of Performance (DOP).

Durability: class B (Components of a building exposed to variable relative humidity up to 90% and to variable temperatures up to 30°C but with no exposure to corrosive pollution agents).

Recommendations for storing metal framing elements

We recommend to store packages in a covered area with a relatively dry atmosphere and as constant a temperature as possible, to avoid condensation that could consume the passivation coat protecting the galvanised surface.

If stored outdoors (**not recommended**), please cover so as to ensure the material is fully protected against adverse weather conditions (rain, fog, snow), making sure the packages are stored in a slightly inclined position. The cover must nevertheless ensure sufficient airflow (the two surfaces must not be in direct contact) so that moisture does not settle and create condensation.



Metalstampi s.r.l.
Vicolo Biban, 7
31030 Biban di Carbonera (TV) Italy
Tel. +39 0422 398250
export@metalstampi.com
www.metalstampi.com