

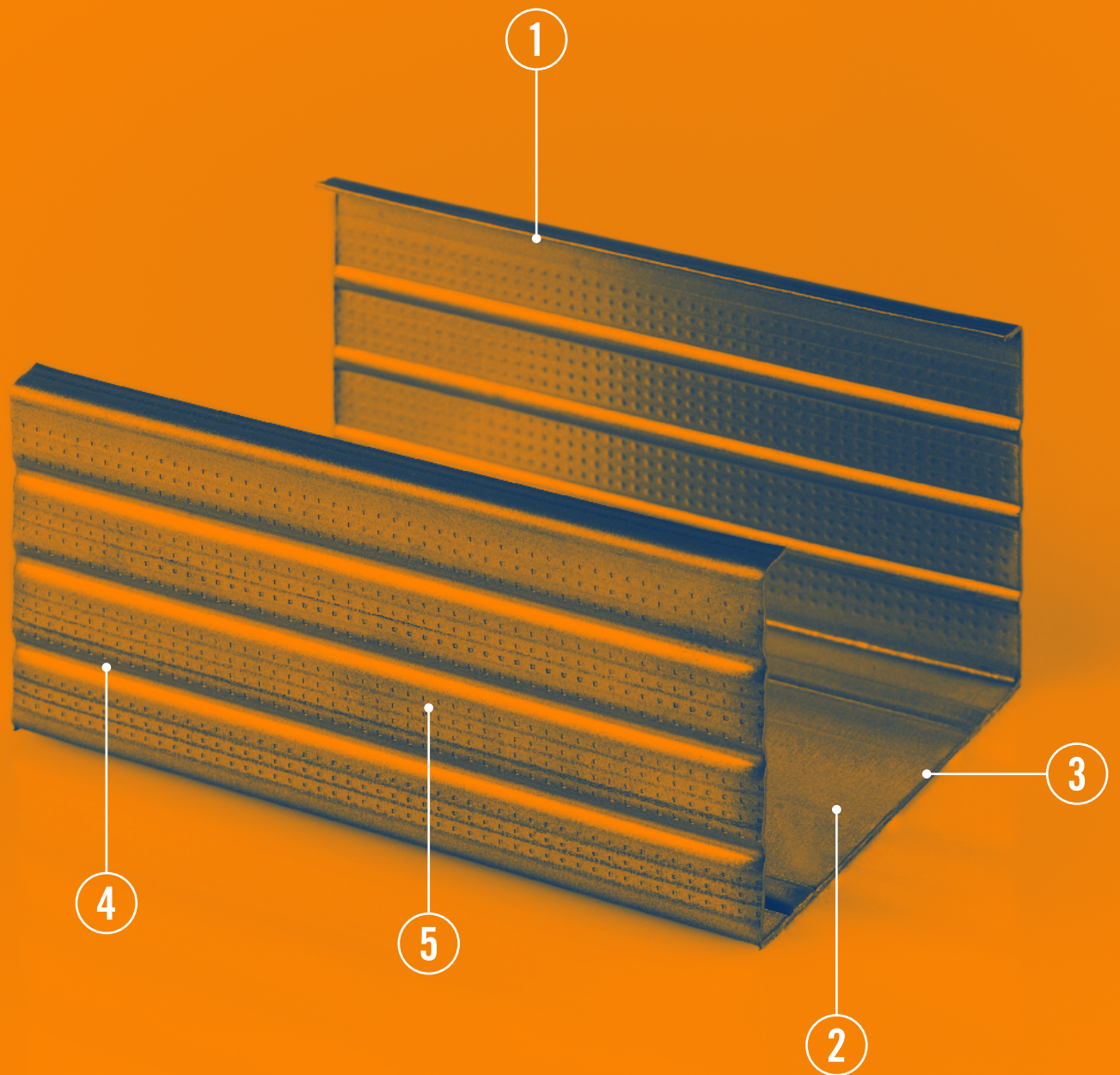
---

# STEEL FLASHLINE PROFILES FLASHLINE HARD ZINC-MAGNESIUM



METALSTAMPI

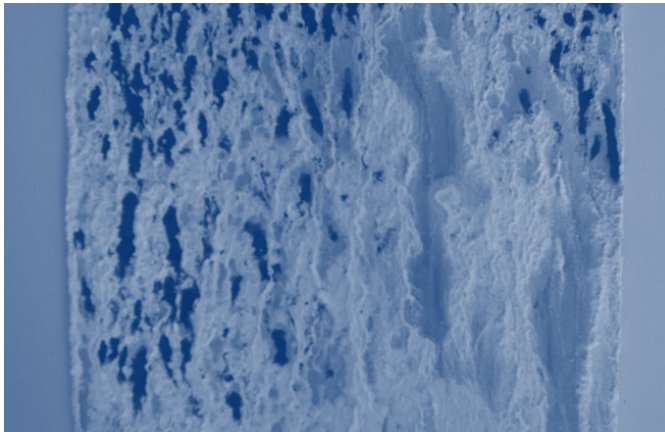
# STEEL PROFILES FLASHLINE HARD ZINC-MAGNESIUM



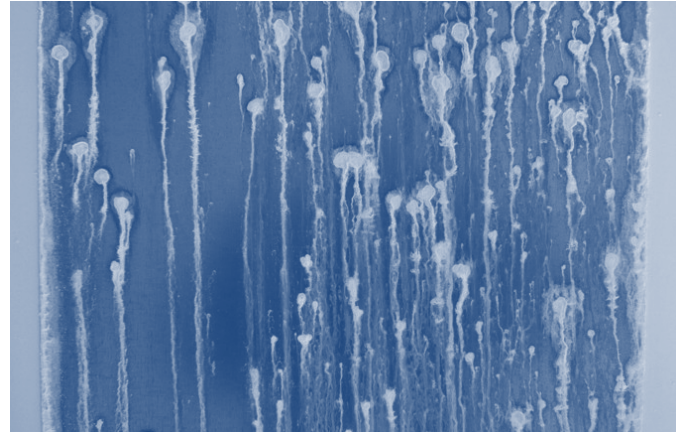
## STRENGTHS

- 1— Product CE marked, in compliance with European standard EN 14195 (quality of raw materials type DX51D+Z100 MAC), and EN 13964 (mechanical resistance to deflection in ceiling applications).
- 2— Use of steel with high corrosion resistance zinc-magnesium surface coating (on average 4 times more than the standard of equal coverage) obtained by particular production procedures with added magnesium.
- 3— Self-cicatrising power of zinc-coated steel in the cutting and drilling areas of the screws.
- 4— Pronounced longitudinal ribbing provides a more rigid structure (improving mechanical performance).
- 5— Surfaces to be fastened are milled for texture (to facilitate perforation by screws).
- 6— Wide selection of products for 0.6 - 0.8 - 1 mm thicknesses.

## PRODUCT FEATURES



Salt spray test 500 hours standard zinc uncovered edges



Salt spray test 500 hours standard zinc-magnesium uncovered edges

### Comparison between products and relative resistance in salt spray

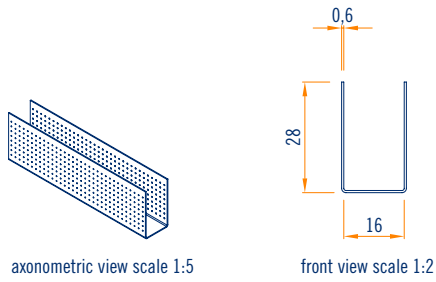
product	thickness of covering		hours of resistance in salt spray necessary for reaching the red rust	absolute resistance in ore/ $\mu\text{m}$ of covering	hardness of coating against scratching in HV
	g/mq	$\mu\text{m}$			
<b>standard zinc</b>	Z 140	10	180	18	70
<b>zinc-magnesium</b>	ZM 120	8	720	90	140-170

# U-TRACK 0.6 MM

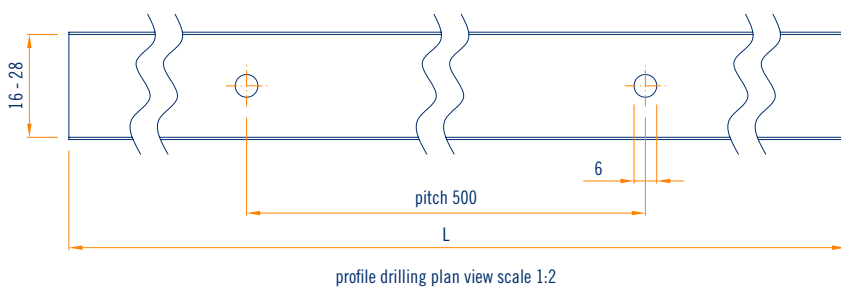
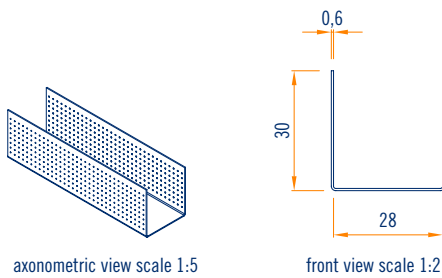
28/16/28 - 30/28/30



Item	Description	Dimension and thickness	Weight per pallet	MI per pkg.	Application	Sales unit
	U-track U/28/16/28 zinc-magnesium	b 16 h 28 s 0.6			suspended ceiling (only perimeter U-track) double wall	160 total pieces 20 package with 8 pieces each
<b>PU16283000ZM</b>	U/28/16/28/3000/0.6	l 3000	156.00	480.00		
<b>PU16284000ZM</b>	U/28/16/28/4000/0.6	l 4000	208.00	640.00		



Item	Description	Dimension and thickness	Weight per pallet	MI per pkg.	Application	Sales unit
	U-track U/30/28/30 zinc-magnesium	b 28 h 30 s 0.6			suspended ceiling (only perimeter U-track) double wall	300 total pieces 25 package with 12 pieces each
<b>PU28303000ZM</b>	U/30/28/30/3000/0.6	l 3000	431.57	900.00		
<b>PU28304000ZM</b>	U/30/28/30/4000/0.6	l 4000	575.43	1200.00		

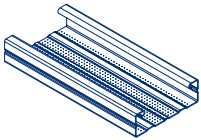




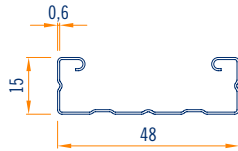
## C-STUD 0.6 MM

15/48/15 BA-BS - 27/48/27 BA-BS - 27/60/27 BI

Item	Description	Dimension and thickness	Weight per pallet	MI per pkg.	Application	Sales unit
	C-stud/15/48/15 rounded edge zinc-magnesium	b 48 h 15 s 0.6			suspended ceiling double wall	192 total pieces 24 package with 8 pieces each
<b>PC50153000BAZM</b>	C/15/48/15/3000/0.6	l 3000	255.06	576.00		
<b>PC50154000BAZM</b>	C/15/48/15/4000/0.6	l 4000	340.08	768.00		

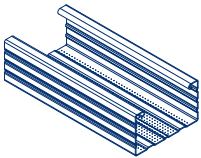


axonometric view scale 1:5

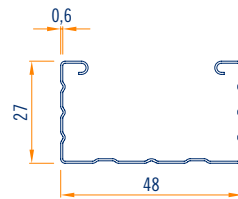


front view scale 1:2

Item	Description	Dimension and thickness	Weight per pallet	MI per pkg.	Application	Sales unit
	C-stud C/27/48/27 rounded edge zinc-magnesium	b 48 h 27 s 0.6			suspended ceiling double wall	120 total pieces 15 package with 8 pieces each
<b>PC50273000BAZM</b>	C/27/48/27/3000/0.6	l 3000	198.29	360.00		
<b>PC50274000BAZM</b>	C/27/48/27/4000/0.6	l 4000	264.38	480.00		

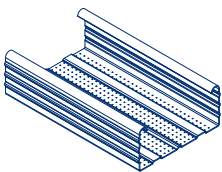


axonometric view scale 1:5

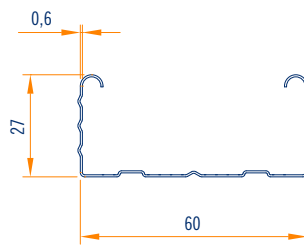


front view scale 1:2

Item	Description	Dimension and thickness	Weight per pallet	MI per pkg.	Application	Sales unit
	C-stud C/27/60/27 rounded edge zinc-magnesium	b 60 h 27 s 0.6			suspended ceiling double wall	120 total pieces 15 package with 8 pieces each
<b>PC60273000BAZM</b>	C/27/60/27/3000/0.6	l 3000	206.06	360.00		
<b>PC60274000BAZM</b>	C/27/60/27/4000/0.6	l 4000	274.75	480.00		



axonometric view scale 1:5



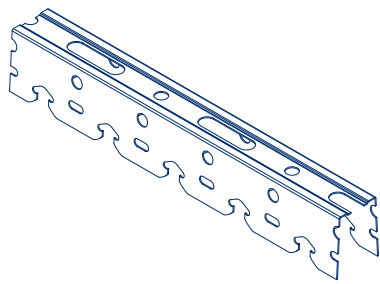
front view scale 1:2

# CLICK-ON U-TRACK U 0.8 MM

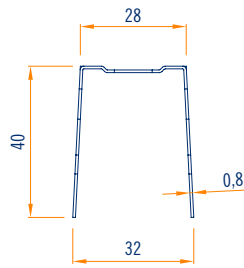
## 40/28/40 BA



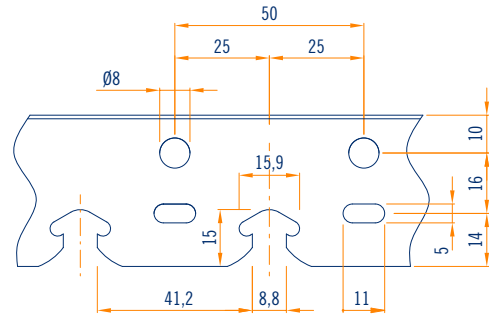
Item	Description	Dimension and thickness	Weight per pallet	MI per pkg.	Application	Sales unit
	click-on U-track U/40/28/40 rounded edge zinc-magnesium	b 28 h 40 s 0.8			suspended ceiling double wall	120 total pieces 15 package with 8 pieces each
<b>PU28403000BAZM</b>	U/40/28/40/3000/0.8	l 3000	234.00	360.00		
<b>PU28404000BAZM</b>	U/40/28/40/4000/0.8	l 4000	312.00	312.00		



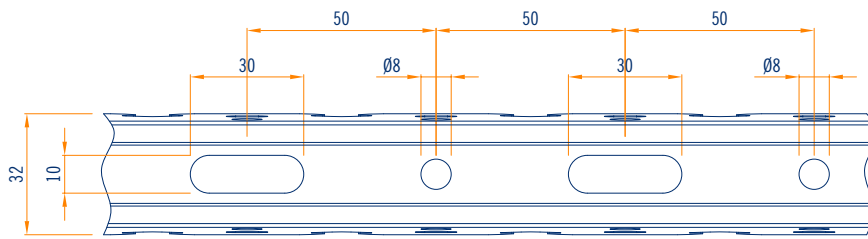
axonometric view scale 1:5



front view scale 1:2



profile drilling side view scale 1:2



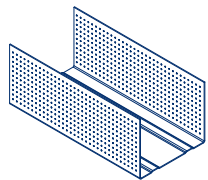
profile drilling plan view scale 1:2

# U-TRACK 0.6 MM

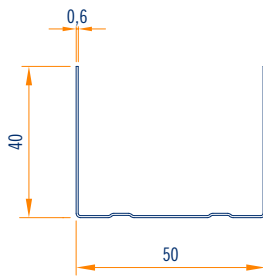
## 40/50/40 - 40/75/40 - 40/100/40 - 40/125/40 - 40/150/40



Item	Description	Dimension and thickness	Weight per pallet	MI per pkg.	Application	Sales unit
	U-track U/40/50/40 zinc-magnesium	b 50 h 40 s 0.6			double wall dividing wall	120 total pieces 15 package with 8 pieces each
<b>PU50403000ZM</b>	U/40/50/40/3000/0.6	l 3000	213.84	360.00		
<b>PU50404000ZM</b>	U/40/50/40/4000/0.6	l 4000	285.12	480.00		

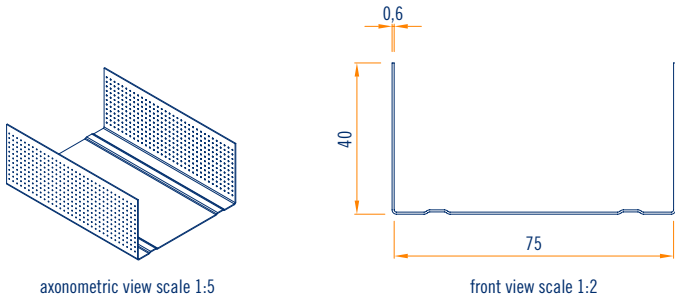


axonometric view scale 1:5

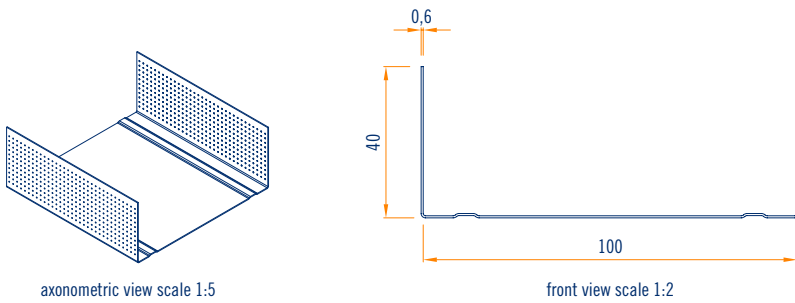


front view scale 1:2

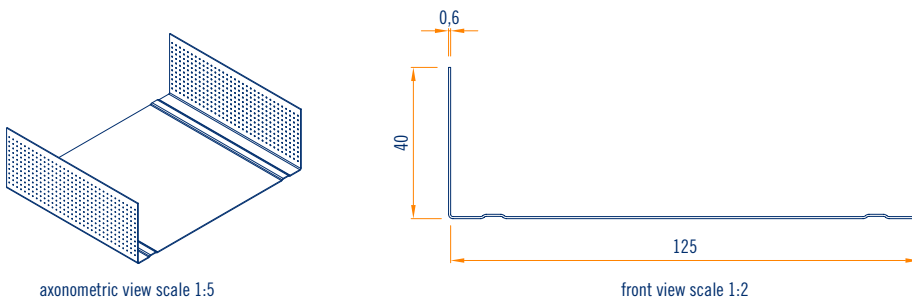
Item	Description	Dimension and thickness	Weight per pallet	MI per pkg.	Application	Sales unit
	U-track U/40/75/40 zinc-magnesium	b 75 h 40 s 0.6			double wall dividing wall	120 total pieces 15 package with 8 pieces each
<b>PU75403000ZM</b>	U/40/75/40/3000/0.6	l 3000	256.80	360.00		
<b>PU75404000ZM</b>	U/40/75/40/4000/0.6	l 4000	342.40	480.00		



Item	Description	Dimension and thickness	Weight per pallet	MI per pkg.	Application	Sales unit
	U-track U/40/100/40 zinc-magnesium	b 100 h 40 s 0.6			double wall dividing wall	120 total pieces 15 package with 8 pieces each
<b>PU100403000ZM</b>	U/40/100/40/3000/0.6	l 3000	295.49	360.00		
<b>PU100404000ZM</b>	U/40/100/40/4000/0.6	l 4000	393.98	480.00		

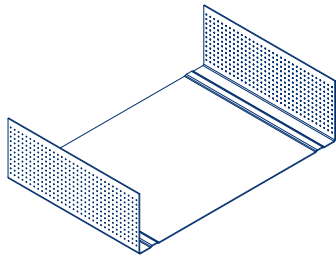


Item	Description	Dimension and thickness	Weight per pallet	MI per pkg.	Application	Sales unit
	U-track U/40/125/40 zinc-magnesium	b 125 h 40 s 0.6			double wall dividing wall	80 total pieces 20 package with 4 pieces each
<b>PU125403000ZM</b>	U/40/125/40/3000/0.6	l 3000	228.00	240.00		
<b>PU125404000ZM</b>	U/40/125/40/4000/0.6	l 4000	304.00	320.00		

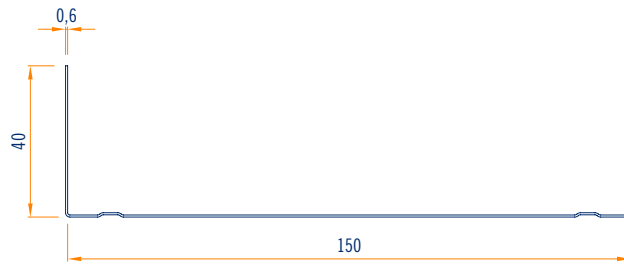


## 214 FLASHLINE ZINC-MAGNESIUM

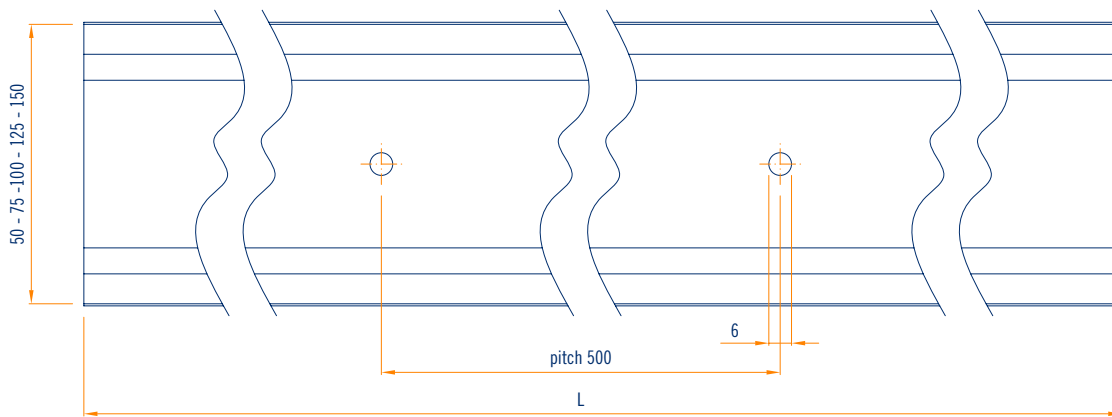
Item	Description	Dimension and thickness	Weight per pallet	MI per pkg.	Application	Sales unit
	U-track U/40/150/40 zinc-magnesium	b 150 h 40 s 0.6			double wall dividing wall	80 total pieces 20 package with 4 pieces each
<b>PU150403000ZM</b>	U/40/150/40/3000/0.6	l 3000	256.80	240.00		
<b>PU150404000ZM</b>	U/40/150/40/4000/0.6	l 4000	342.40	320.00		



axonometric view scale 1:5



front view scale 1:2



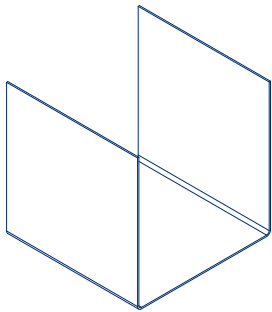
profile drilling plan view scale 1:2



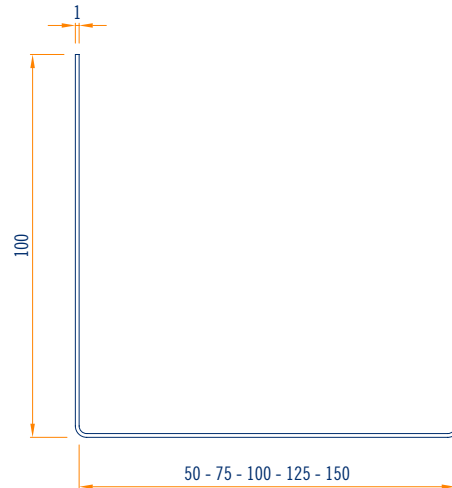
## U-TRACK 1 MM



Item	Description	Dimension and thickness	Weight per pallet	MI per pkg.	Application	Sales unit
	U-track zinc-magnesium H 100 S 1	b 50-75-100-125-150 h 100 s 1			double wall dividing wall	4 total pieces
<b>PU501003000ZM.1</b>	U/100/50/100/3000/1	l 3000	23.52	12.00		
<b>PU751003000ZM.1</b>	U/100/75/100/3000/1	l 3000	25.92	12.00		
<b>PU1001003000ZM.1</b>	U/100/100/100/3000/1	l 3000	28.32	12.00		
<b>PU1251003000ZM.1</b>	U/100/125/100/3000/1	l 3000	30.60	12.00		
<b>PU1501003000ZM.1</b>	U/100/150/100/3000/1	l 3000	33.00	12.00		



axonometric view scale 1:5



front view scale 1:2

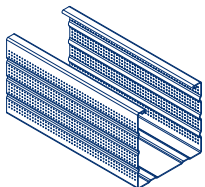
## C-STUD 0.6 MM

50/49/47 - 50/74/47 - 50/99/47 - 50/124/47 - 50/149/47

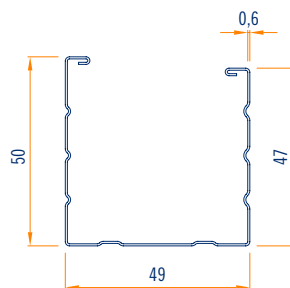


Item	Description	Dimension and thickness	Weight per pallet	MI per pkg.	Application	Sales unit
	C-stud C/50/49/47 zinc-magnesium	b 49 h 50 s 0.6			double wall dividing wall	120 total pieces 15 package with 8 pieces each
<b>PC50503000ZM</b>	C/50/49/47/3000/0.6	l 3000	268.27	360.00		
<b>PC50504000ZM</b>	C/50/49/47/4000/0.6	l 4000	357.70	480.00		

other lengths upon request



axonometric view scale 1:5

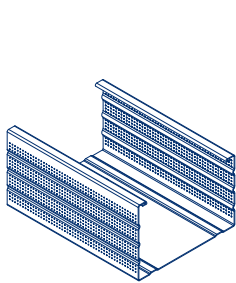


front view scale 1:2

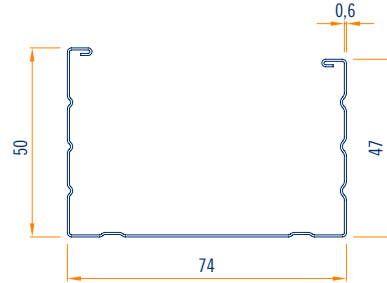
## 216 FLASHLINE ZINC-MAGNESIUM

Item	Description	Dimension and thickness	Weight per pallet	MI per pkg.	Application	Sales unit
	C-stud C/50/74/47 zinc-magnesium	b 74 h 50 s 0.6			double wall dividing wall	120 total pieces 15 package with 8 pieces each
<b>PC75503000ZM</b>	C/50/74/47/3000/0.6	I 3000	311.04	360.00		
<b>PC75504000ZM</b>	C/50/74/47/4000/0.6	I 4000	414.72	480.00		

other lengths upon request



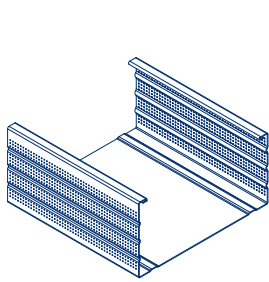
axonometric view scale 1:5



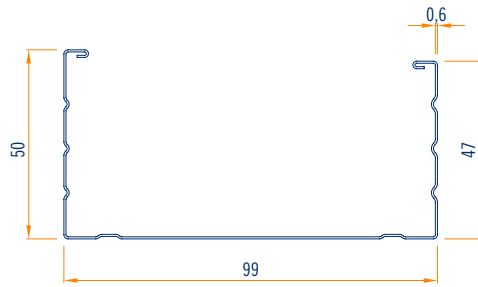
front view scale 1:2

Item	Description	Dimension and thickness	Weight per pallet	MI per pkg.	Application	Sales unit
	C-stud C/50/99/47 zinc-magnesium	b 99 h 50 s 0.6			double wall dividing wall	120 total pieces 15 package with 8 pieces each
<b>PC100503000ZM</b>	C/50/99/47/3000/0.6	I 3000	353.81	360.00		
<b>PC100504000ZM</b>	C/50/99/47/4000/0.6	I 4000	471.74	480.00		

other lengths upon request



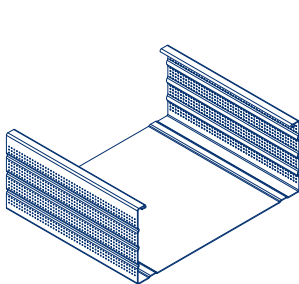
axonometric view scale 1:5



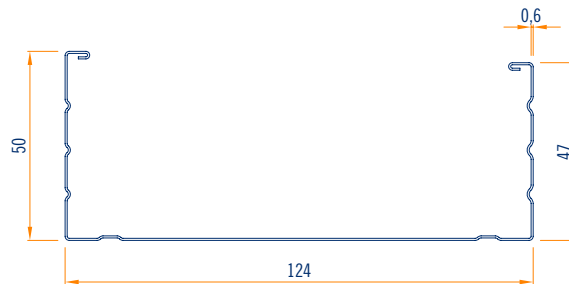
front view scale 1:2

Item	Description	Dimension and thickness	Weight per pallet	MI per pkg.	Application	Sales unit
	C-stud C/50/124/47 zinc-magnesium	b 124 h 50 s 0.6			double wall dividing wall	80 total pieces 20 package with 4 pieces each
<b>PC125503000ZM</b>	C/50/124/47/3000/0.6	I 3000	266.40	240.00		
<b>PC125504000ZM</b>	C/50/124/47/4000/0.6	I 4000	355.20	320.00		

other lengths upon request



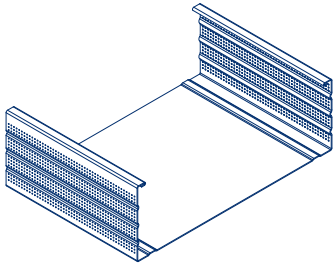
axonometric view scale 1:5



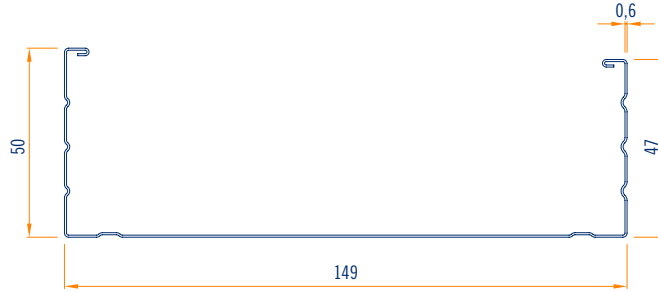
front view scale 1:2

Item	Description	Dimension and thickness	Weight per pallet	MI per pkg.	Application	Sales unit
	C-stud C/50/149/47 zinc-magnesium	b 149 h 50 s 0.6			double wall dividing wall	80 total pieces 20 package with 4 pieces each
<b>PC150503000ZM</b>	C/50/149/47/3000/0.6	l 3000	292.80	240.00		
<b>PC150504000ZM</b>	C/50/149/47/4000/0.6	l 4000	390.40	320.00		

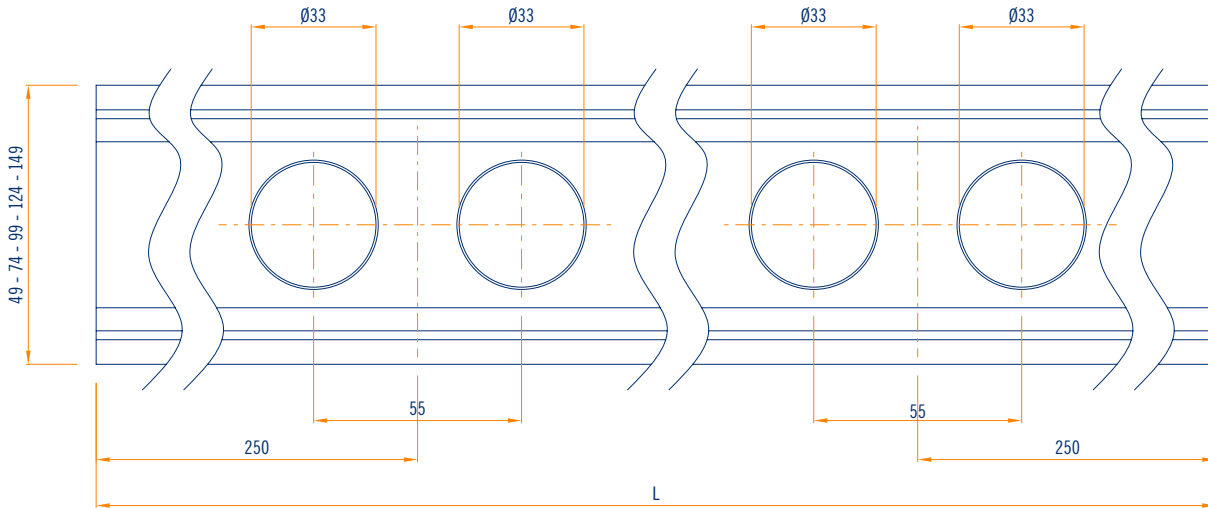
other lengths upon request



axonometric view scale 1:5



front view scale 1:2



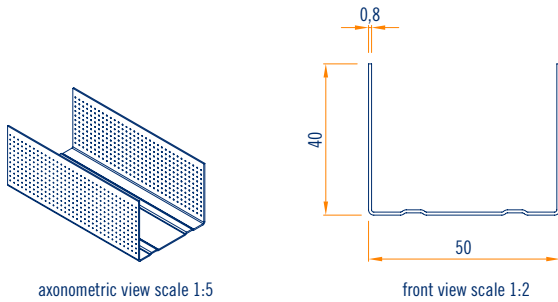
profile drilling plan view scale 1:2

**U-TRACK 0.8 MM**

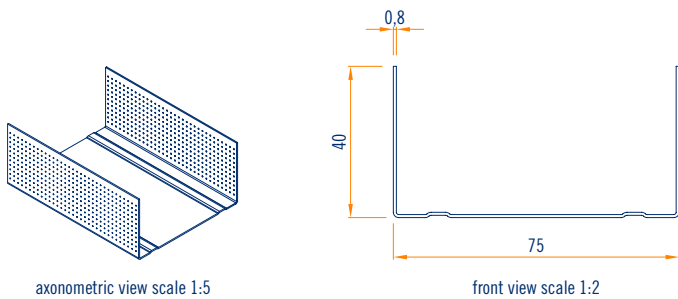
40/50/40 - 40/75/40 - 40/100/40 - 40/125/40 - 40/150/40



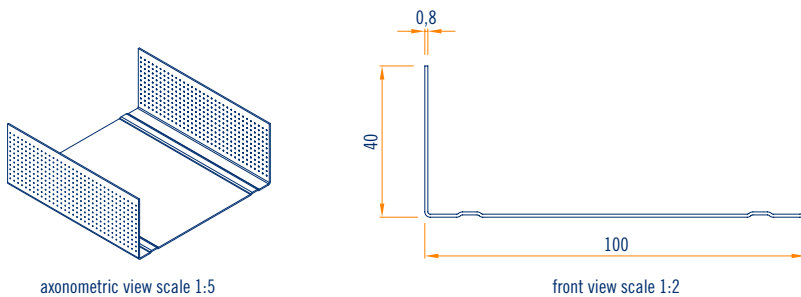
Item	Description	Dimension and thickness	Weight per pallet	MI per pkg.	Application	Sales unit
	U-track U/40/50/40 zinc-magnesium	b 50 h 40 s 0.8			double wall dividing wall	120 total pieces 15 package with 8 pieces each
<b>PU50403000ZM.8</b>	U/40/50/40/3000/0.8	l 3000	288.00	360.00		
<b>PU50404000ZM.8</b>	U/40/50/40/4000/0.8	l 4000	384.00	480.00		



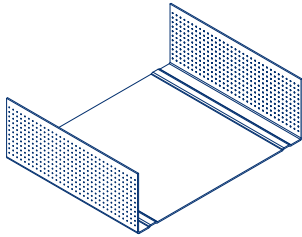
Item	Description	Dimension and thickness	Weight per pallet	MI per pkg.	Application	Sales unit
	U-track U/40/75/40 zinc-magnesium	b 75 h 40 s 0.8			double wall dividing wall	120 total pieces 15 package with 8 pieces each
<b>PU75403000ZM.8</b>	U/40/75/40/3000/0.8	l 3000	342.00	360.00		
<b>PU75404000ZM.8</b>	U/40/75/40/4000/0.8	l 4000	456.00	480.00		



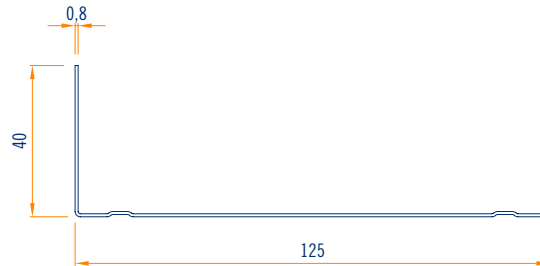
Item	Description	Dimension and thickness	Weight per pallet	MI per pkg.	Application	Sales unit
	U-track U/40/100/40 zinc-magnesium	b 100 h 40 s 0.8			double wall dividing wall	120 total pieces 15 package with 8 pieces each
<b>PU100403000ZM.8</b>	U/40/100/40/3000/0.8	l 3000	352.80	360.00		
<b>PU100404000ZM.8</b>	U/40/100/40/4000/0.8	l 4000	399.80	480.00		



Item	Description	Dimension and thickness	Weight per pallet	MI per pkg.	Application	Sales unit
	U-track U/40/125/40 zinc-magnesium	b 125 h 40 s 0.8			double wall dividing wall	80 total pieces 20 package with 4 pieces each
<b>PU125403000ZM.8</b>	U/40/125/40/3000/0.8	l 3000	304.80	240.00		
<b>PU125404000ZM.8</b>	U/40/125/40/4000/0.8	l 4000	406.40	320.00		

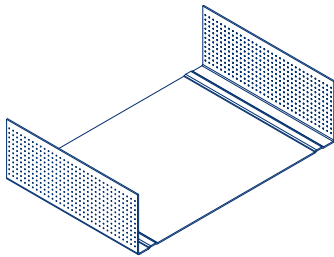


axonometric view scale 1:5

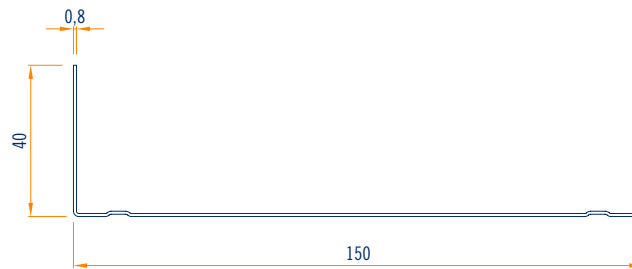


front view scale 1:2

Item	Description	Dimension and thickness	Weight per pallet	MI per pkg.	Application	Sales unit
	U-track U/40/150/40 zinc-magnesium	b 150 h 40 s 0.8			double wall dividing wall	80 total pieces 20 package with 4 pieces each
<b>PU150403000ZM.8</b>	U/40/150/40/3000/0.8	l 3000	343.20	240.00		
<b>PU150404000ZM.8</b>	U/40/150/40/4000/0.8	l 4000	457.60	320.00		



axonometric view scale 1:5



front view scale 1:2

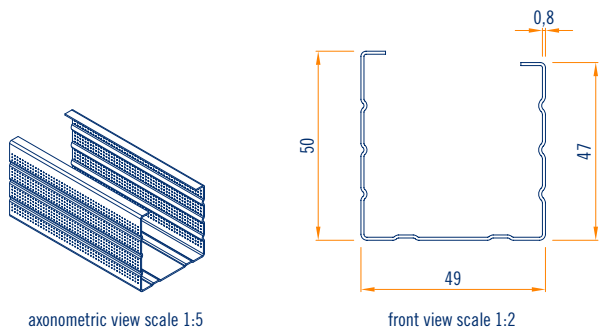
**C-STUD 0.8 MM**

50/49/47 - 50/74/47 - 50/99/47 - 50/124/47 - 50/149/47



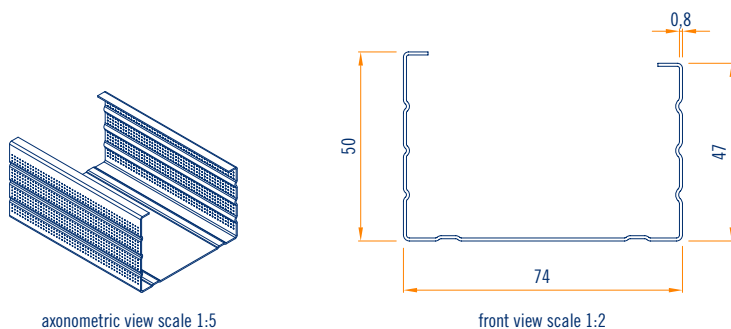
Item	Description	Dimension and thickness	Weight per pallet	MI per pkg.	Application	Sales unit
	C-stud C/50/49/47 zinc-magnesium	b 49 h 50 s 0.8			double wall dividing wall	120 total pieces 15 package with 8 pieces each
<b>PC50503000ZM.8</b>	C/50/49/47/3000/0.8	l 3000	345.60	360.00		
<b>PC50504000ZM.8</b>	C/50/49/47/4000/0.8	l 4000	460.80	480.00		

other lengths upon request



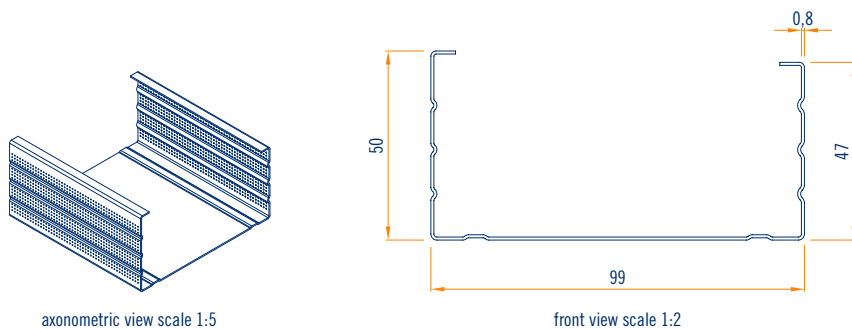
Item	Description	Dimension and thickness	Weight per pallet	MI per pkg.	Application	Sales unit
	C-stud C/50/74/47 zinc-magnesium	b 74 h 50 s 0.8			double wall dividing wall	120 total pieces 15 package with 8 pieces each
<b>PC75503000ZM.8</b>	C/50/74/47/3000/0.8	l 3000	403.20	360.00		
<b>PC75504000ZM.8</b>	C/50/74/47/4000/0.8	l 4000	537.60	480.00		

other lengths upon request

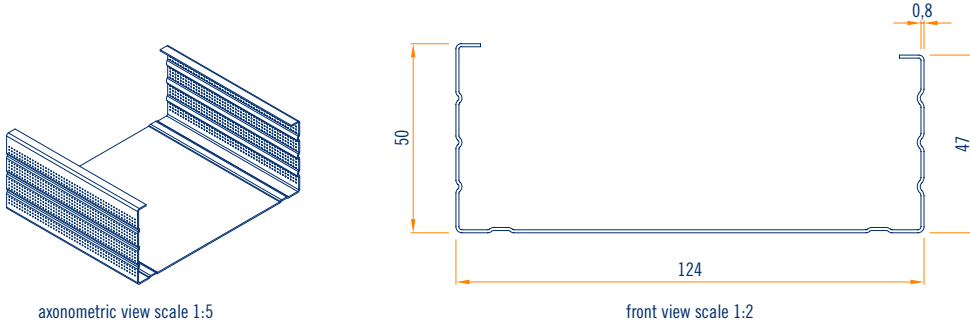


Item	Description	Dimension and thickness	Weight per pallet	MI per pkg.	Application	Sales unit
	C-stud C/50/99/47 zinc-magnesium	b 99 h 50 s 0.8			double wall dividing wall	120 total pieces 15 package with 8 pieces each
<b>PC100503000ZM.8</b>	C/50/99/47/3000/0.8	l 3000	457.20	360.00		
<b>PC100504000ZM.8</b>	C/50/99/47/4000/0.8	l 4000	609.60	480.00		

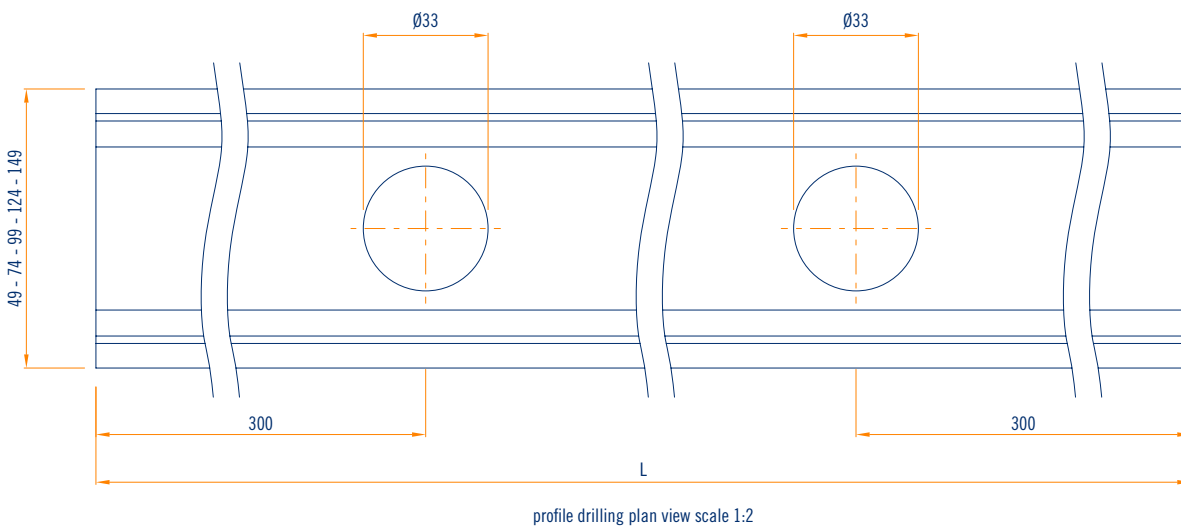
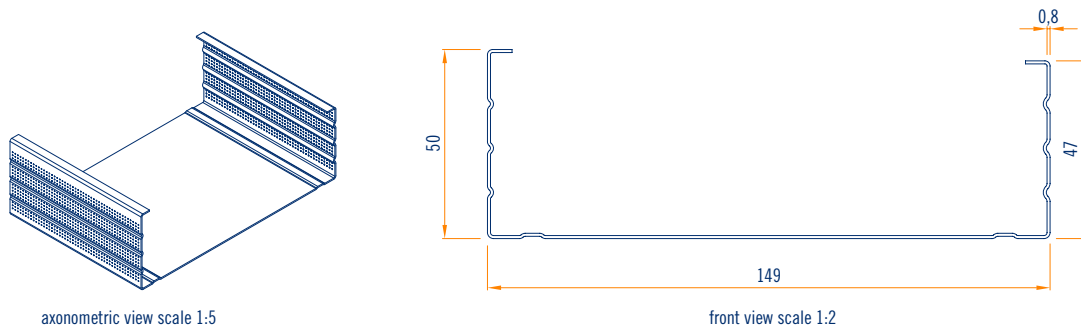
other lengths upon request



Item	Description	Dimension and thickness	Weight per pallet	MI per pkg.	Application	Sales unit
	C-stud C/50/124/47 zinc-magnesium	b 124 h 50 s 0.8			double wall dividing wall	80 total pieces 20 package with 4 pieces each
<b>PC125503000ZM.8</b>	C/50/124/47/3000/0.8	l 3000	343.20	240.00		
<b>PC125504000ZM.8</b>	C/50/124/47/4000/0.8	l 4000	457.60	320.00		
		other lengths upon request				



Item	Description	Dimension and thickness	Weight per pallet	MI per pkg.	Application	Sales unit
	C-stud C/50/149/47 zinc-magnesium	b 149 h 50 s 0.8			double wall dividing wall	80 total pieces 20 package with 4 pieces each
<b>PC150503000ZM.8</b>	C/50/149/47/3000/0.8	l 3000	381.60	240.00		
<b>PC150504000ZM.8</b>	C/50/149/47/4000/0.8	l 4000	508.80	320.00		
		other lengths upon request				

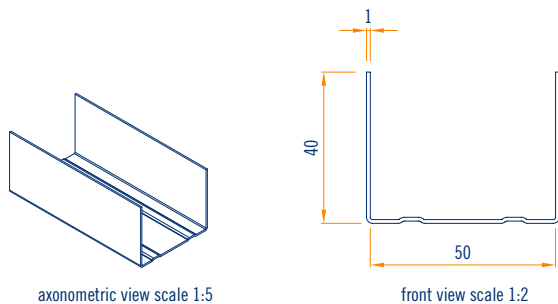


**U-TRACK 1 MM**

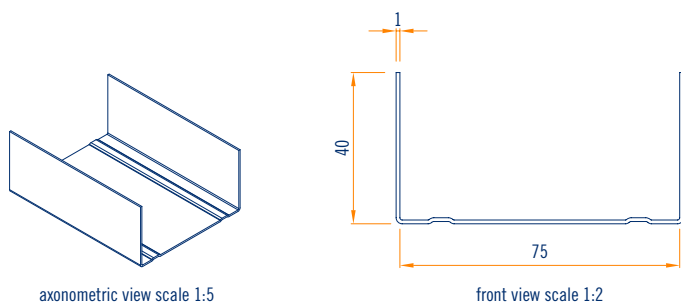
40/50/40 - 40/75/40 - 40/100/40 - 40/125/40 - 40/150/40



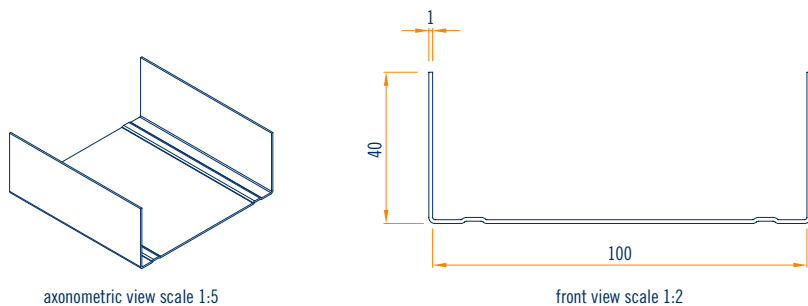
Item	Description	Dimension and thickness	Weight per pallet	MI per pkg.	Application	Sales unit
	U-track U/40/50/40 zinc-magnesium	b 50 h 40 s 1			double wall dividing wall	120 total pieces 15 package with 8 pieces each
<b>PU50403000ZM.1</b>	U/40/50/40/3000/1	l 3000	387.24	360.00		
<b>PU50404000ZM.1</b>	U/40/50/40/4000/1	l 4000	516.33	480.00		



Item	Description	Dimension and thickness	Weight per pallet	MI per pkg.	Application	Sales unit
	U-track U/40/75/40 zinc-magnesium	b 75 h 40 s 1			double wall dividing wall	120 total pieces 15 package with 8 pieces each
<b>PU75403000ZM.1</b>	U/40/75/40/3000/1	l 3000	462.67	360.00		
<b>PU75404000ZM.1</b>	U/40/75/40/4000/1	l 4000	616.89	480.00		

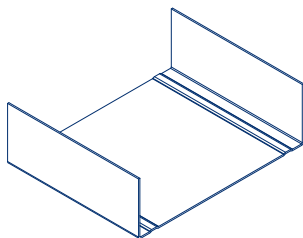


Item	Description	Dimension and thickness	Weight per pallet	MI per pkg.	Application	Sales unit
	U-track U/40/100/40 zinc-magnesium	b 100 h 40 s 1			double wall dividing wall	120 total pieces 15 package with 8 pieces each
<b>PU100403000ZM.1</b>	U/40/100/40/3000/1	l 3000	540.43	360.00		
<b>PU100404000ZM.1</b>	U/40/100/40/4000/1	l 4000	720.58	480.00		

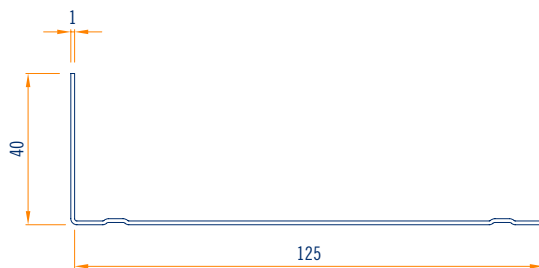




Item	Description	Dimension and thickness	Weight per pallet	MI per pkg.	Application	Sales unit
	U-track U/40/125/40 zinc-magnesium	b 125 h 40 s 1			double wall dividing wall	80 total pieces 20 package with 4 pieces each
<b>PU125403000ZM.1</b>	U/40/125/40/3000/1	l 3000	410.83	240.00		
<b>PU125404000ZM.1</b>	U/40/125/40/4000/1	l 4000	548.12	320.00		

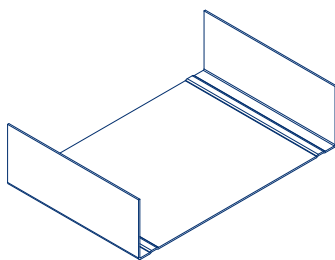


axonometric view scale 1:5

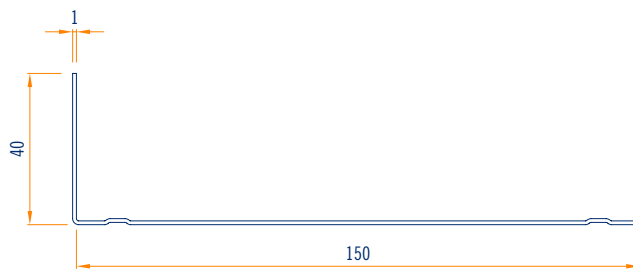


front view scale 1:2

Item	Description	Dimension and thickness	Weight per pallet	MI per pkg.	Application	Sales unit
	U-track U/40/150/40 zinc-magnesium	b 150 h 40 s 1			double wall dividing wall	80 total pieces 20 package with 4 pieces each
<b>PU150403000ZM.1</b>	U/40/150/40/3000/1	l 3000	461.89	240.00		
<b>PU150404000ZM.1</b>	U/40/150/40/4000/1	l 4000	615.86	320.00		



axonometric view scale 1:5



front view scale 1:2

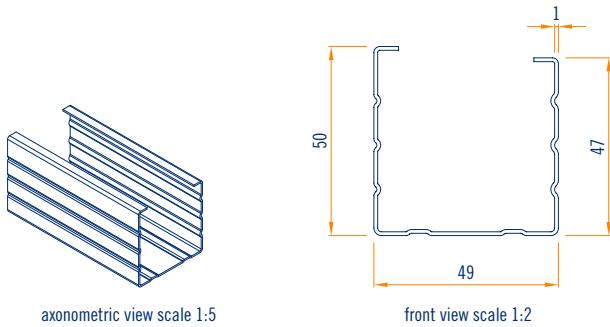
**C-STUD 1 MM**

50/49/47 - 50/74/47 - 50/99/47 - 50/124/47 - 50/149/47



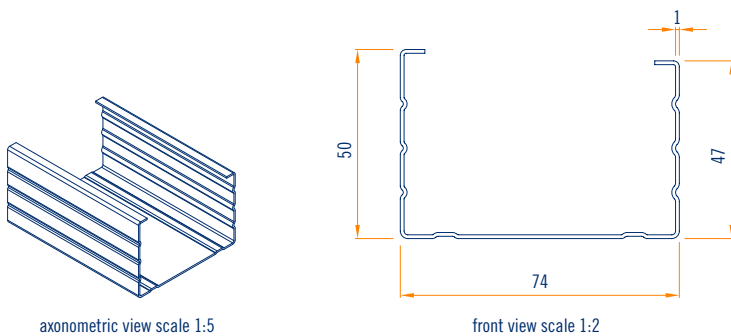
Item	Description	Dimension and thickness	Weight per pallet	MI per pkg.	Application	Sales unit
	C-stud C/50/49/47 zinc-magnesium	b 49 h 50 s 1			double wall dividing wall	120 total pieces 15 package with 8 pieces each
<b>PC50503000ZM.1</b>	C/50/49/47/3000/1	l 3000	466.56	360.00		
<b>PC50504000ZM.1</b>	C/50/49/47/4000/1	l 4000	622.10	480.00		

other lengths upon request



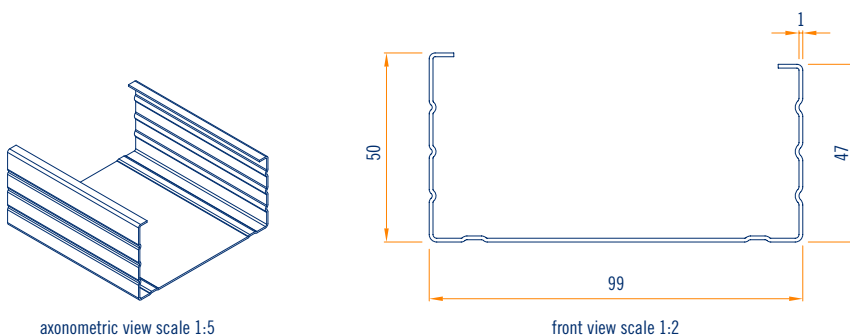
Item	Description	Dimension and thickness	Weight per pallet	MI per pkg.	Application	Sales unit
	C-stud C/50/74/47 zinc-magnesium	b 74 h 50 s 1			double wall dividing wall	120 total pieces 15 package with 8 pieces each
<b>PC75503000ZM.1</b>	C/50/74/47/3000/1	l 3000	543.15	360.00		
<b>PC75504000ZM.1</b>	C/50/74/47/4000/1	l 4000	724.20	480.00		

other lengths upon request



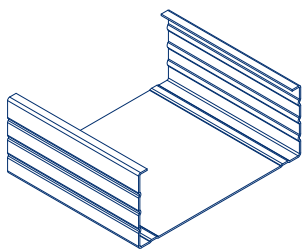
Item	Description	Dimension and thickness	Weight per pallet	MI per pkg.	Application	Sales unit
	C-stud C/50/99/47 zinc-magnesium	b 99 h 50 s 1			double wall dividing wall	120 total pieces 15 package with 8 pieces each
<b>PC100503000ZM.1</b>	C/50/99/47/3000/1	l 3000	619.74	360.00		
<b>PC100504000ZM.1</b>	C/50/99/47/4000/1	l 4000	825.81	480.00		

other lengths upon request

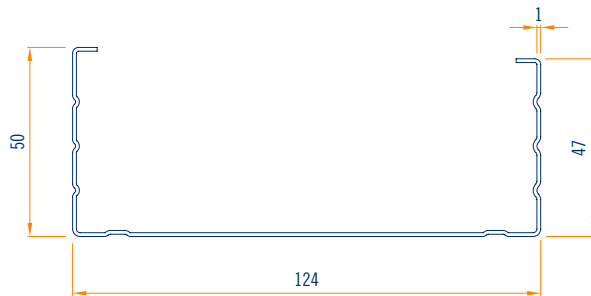


Item	Description	Dimension and thickness	Weight per pallet	MI per pkg.	Application	Sales unit
	C-stud C/50/124/47 zinc-magnesium	b 124 h 50 s 1			double wall dividing wall	80 total pieces 20 package with 4 pieces each
<b>PC125503000ZM.1</b>	C/50/124/47/3000/1	l 3000	463.97	240.00		
<b>PC125504000ZM.1</b>	C/50/124/47/4000/1	l 4000	618.28	320.00		

other lengths upon request



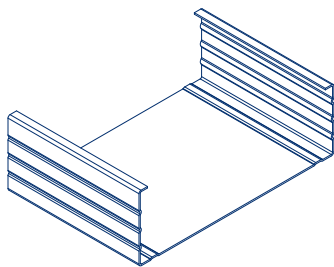
axonometric view scale 1:5



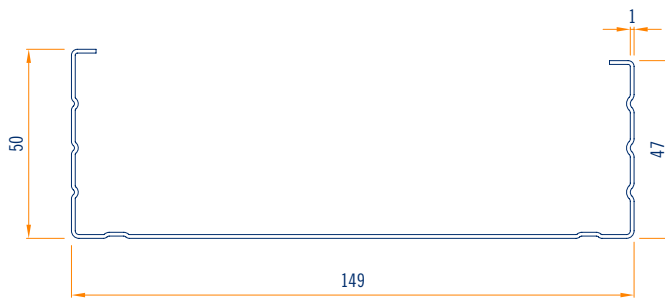
front view scale 1:2

Item	Description	Dimension and thickness	Weight per pallet	MI per pkg.	Application	Sales unit
	C-stud C/50/149/47 zinc-magnesium	b 149 h 50 s 1			double wall dividing wall	80 total pieces 20 package with 4 pieces each
<b>PC150503000ZM.1</b>	C/50/149/47/3000/1	l 3000	514.77	240.00		
<b>PC150504000ZM.1</b>	C/50/149/47/4000/1	l 4000	686.36	320.00		

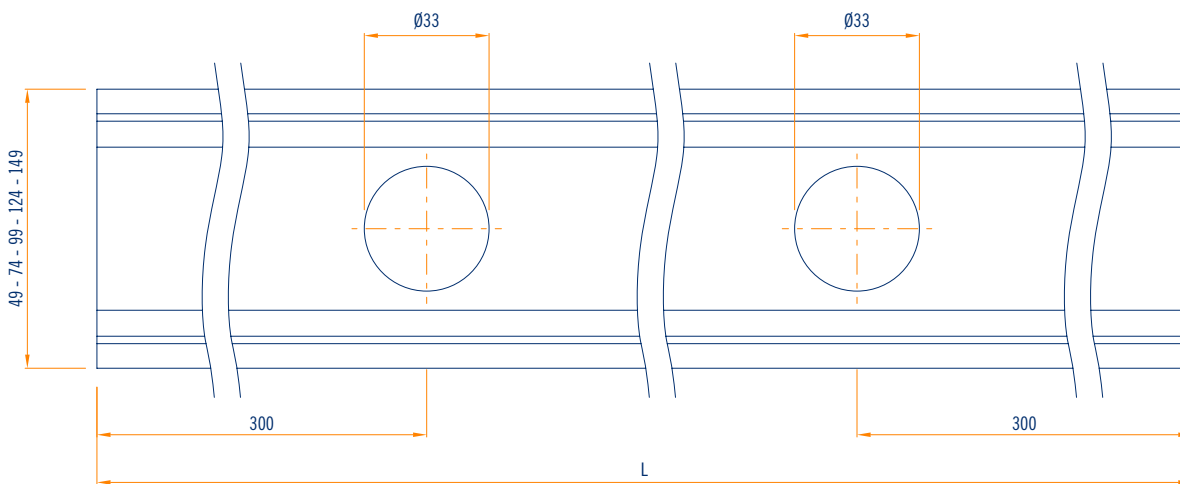
other lengths upon request



axonometric view scale 1:5



front view scale 1:2



profile drilling plan view scale 1:2

# IMPORTANT RECOMMENDATIONS FOR USING AND STORING PRODUCTS

## CE Marking

Please note that each product is part of a hanging/connection kit for connecting to the upper anchoring system and to the supporting element in dry construction systems **for use inside buildings**. The various components are identified in the catalogue and price list with the CE logo.

**Each CE product has a Declaration of Performance (DOP).**

**Durability: class B** (Components of a building exposed to variable relative humidity up to 90% and to variable temperatures up to 30°C but with no exposure to corrosive pollution agents).

## Recommendations for storing metal framing elements

We recommend to store packages in a covered area with a relatively dry atmosphere and as constant a temperature as possible, to avoid condensation that could consume the passivation coat protecting the galvanised surface.

If stored outdoors (**not recommended**), please cover so as to ensure the material is fully protected against adverse weather conditions (rain, fog, snow), making sure the packages are stored in a slightly inclined position. The cover must nevertheless ensure sufficient airflow (the two surfaces must not be in direct contact) so that moisture does not settle and create condensation.



**Metalstampi s.r.l.**  
Vicolo Biban, 7  
31030 Biban di Carbonera (TV) Italy  
Tel. +39 0422 398250  
export@metalstampi.com  
www.metalstampi.com