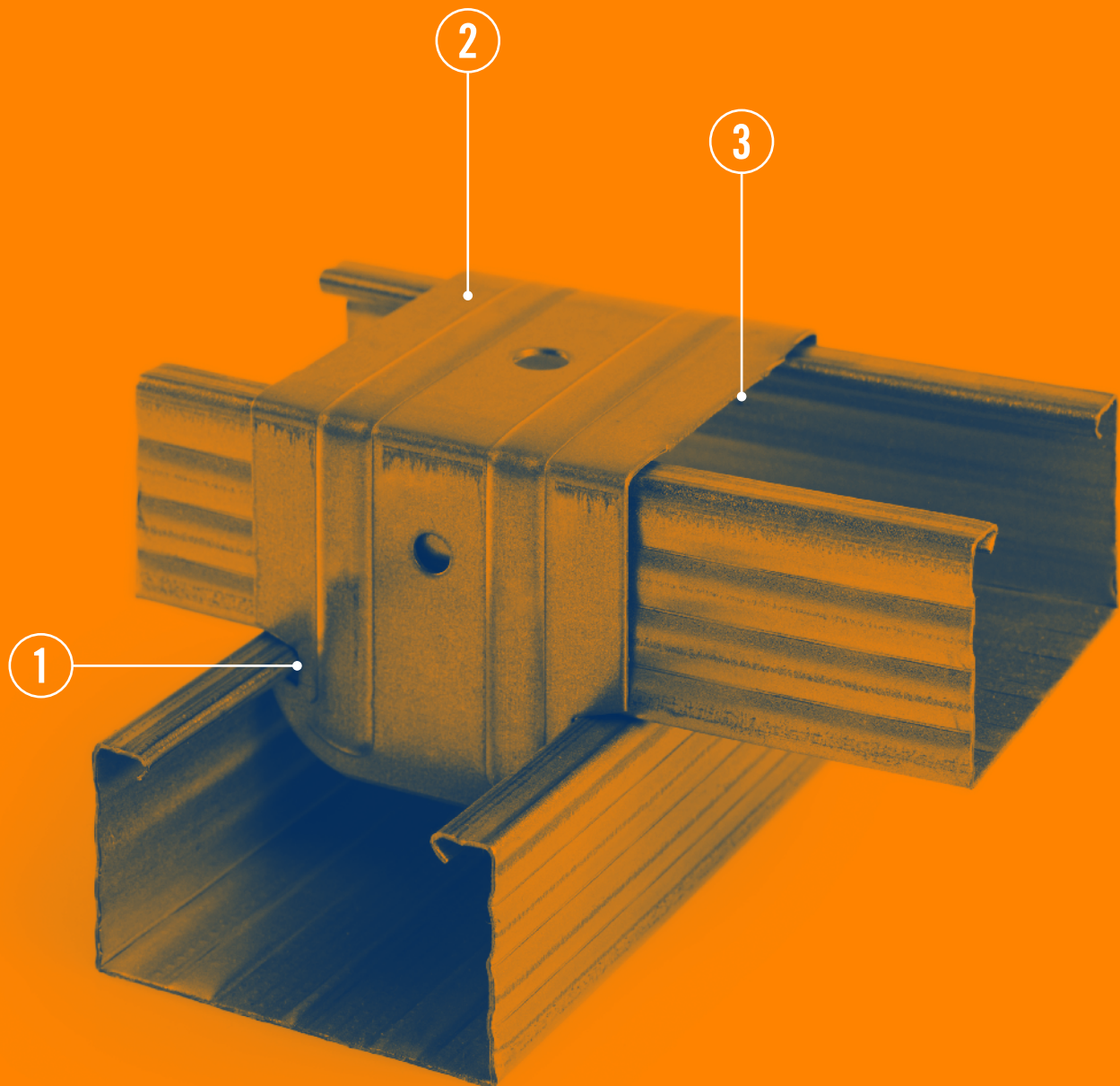

FASTENING SYSTEMS CONNECT ZINC-MAGNESIUM



METALSTAMPI

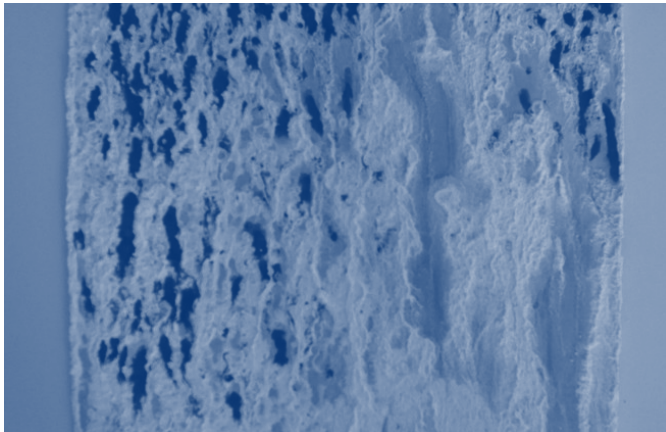
FASTENING SYSTEMS CONNECT ZINC-MAGNESIUM



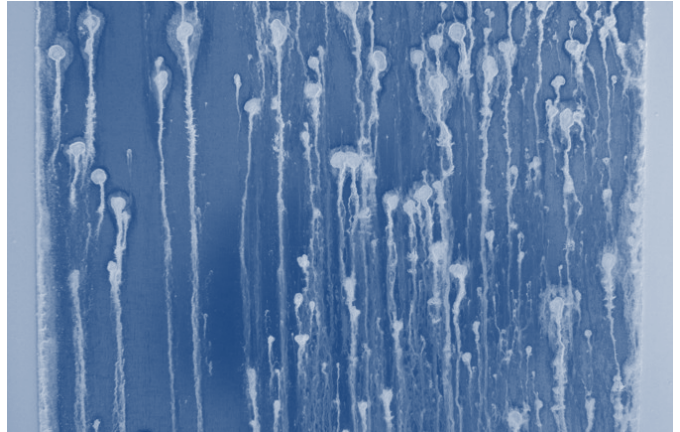
STRENGTHS

- 1— Product conformity with CE marking, according to European directive EN 13964 (determination of the load permissible for suspended ceilings with load-bearing capacity) obtained with Metalstampi profiles and accessory kits.
- 2— Use of steel with high corrosion resistance zinc-magnesium surface coating (on average 4 times more than the standard of equal coverage) obtained by particular production procedures with added magnesium.
- 3— Self-cicatrising power of zinc-coated steel in the cutting and drilling areas of the screws.

PRODUCT FEATURES



Salt spray test 500 hours standard zinc uncovered edges



Salt spray test 500 hours standard zinc-magnesium uncovered edge

Comparison between products and relative resistance in salt spray

product	thickness of covering		hours of resistance in salt spray necessary for reaching the red rust	absolute resistance in ore/ μ m of covering	hardness of coating against scratching in HV
	g/mq	μ m			
standard zinc	Z 140	10	180	18	70
zinc-magnesium	ZM 120	8	720	90	140-170

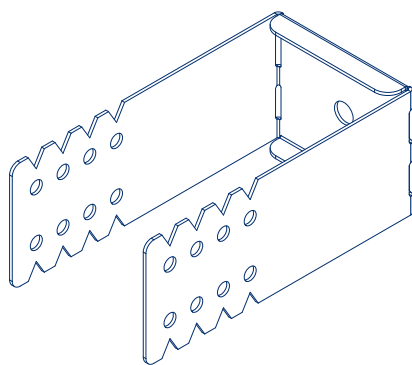
ADJUSTABLE BRACKET WITH THROUGH-HOLE Ø 7

C/27/48/27 BA-BS

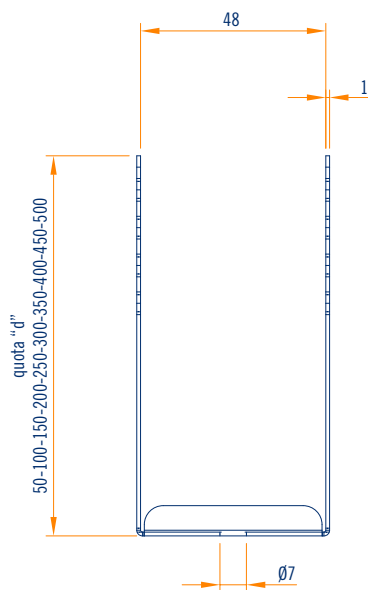
48X50-100-150-200-250-300-350-400-450-500

BASE 48

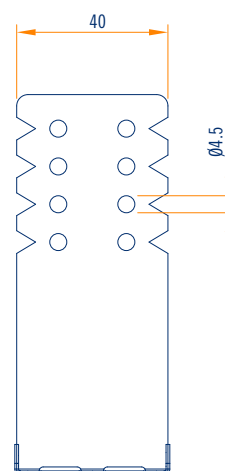
Item	Description	Dimension and thickness	Weight per package	Application	Sales unit
	adjustable bracket with through-hole Ø 7 C/27/48/27 BA-BS			suspended ceiling double wall	
280/P050	48x50	d 50 s 1	2.62		50 total pieces 1 package
281/P050	48x100	d 100 s 1	4.17		50 total pieces 1 package
282/P020	48x150	d 150 s 1	2.55		20 total pieces 1 package
283/P020	48x200	d 200 s 1	3.31		20 total pieces 1 package
284/P020	48x250	d 250 s 1	3.90		20 total pieces 1 package
285/P020	48x300	d 300 s 1	4.52		20 total pieces 1 package
286/P020	48x350	d 350 s 1	6.30		20 total pieces 1 package
287/P020	48x400	d 400 s 1	7.15		20 total pieces 1 package
288/P020	48x450	d 450 s 1	8.00		20 total pieces 1 package
289/P020	48x500	d 500 s 1	8.90		20 total pieces 1 package



axonometric view scale 1:2



front view scale 1:2



side view scale 1:2

ADJUSTABLE BRACKET WITH THROUGH-HOLE Ø 7

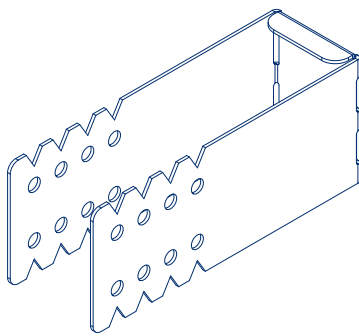
U/40/28/40

30X50-100-150-200-250-300-350- 400-450-500

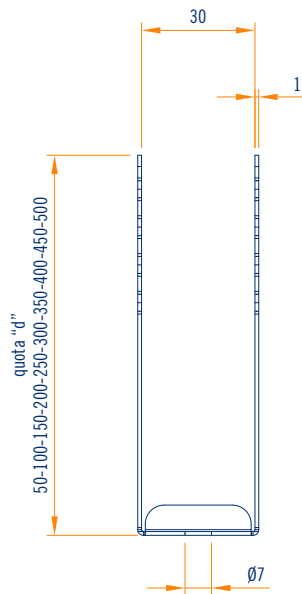
BASE 30



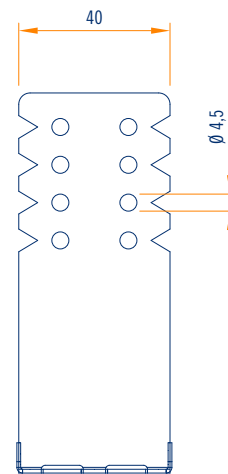
Item	Description	Dimension and thickness	Weight per package	Application	Sales unit
	adjustable bracket with through-hole Ø 7 U/40/28/40			suspended ceiling double wall	
290/P050	30x50	d 50 s 1	2.27		50 total pieces 1 package
291/P050	30x100	d 100 s 1	3.77		50 total pieces 1 package
292/P020	30x150	d 150 s 1	2.37		20 total pieces 1 package
293/P020	30x200	d 200 s 1	3.15		20 total pieces 1 package
294/P020	30x250	d 250 s 1	3.78		20 total pieces 1 package
295/P020	30x300	d 300 s 1	4.41		20 total pieces 1 package
296/P020	30x350	d 350 s 1	6.15		20 total pieces 1 package
297/P020	30x400	d 400 s 1	7.00		20 total pieces 1 package
298/P020	30x450	d 450 s 1	7.80		20 total pieces 1 package
299/P020	30x500	d 500 s 1	8.65		20 total pieces 1 package



axonometric view scale 1:2



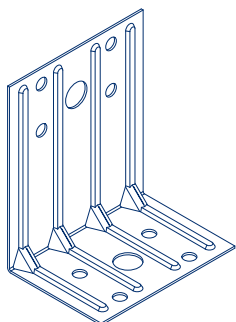
front view scale 1:2



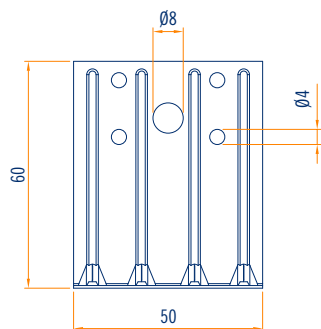
side view scale 1:2

L-BRACKET ZINC-MAGNESIUM

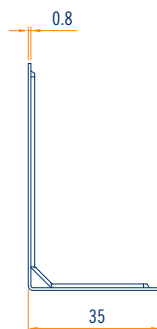
Item	Description	Dimension and thickness	Weight per package	Application	Sales unit
304/P100	L-Bracket 60x35	d 60x35 s 0.8	3.00	double wall	100 total pieces 1 package



axonometric view scale 1:2

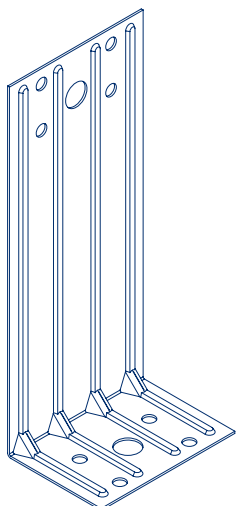


front view scale 1:2

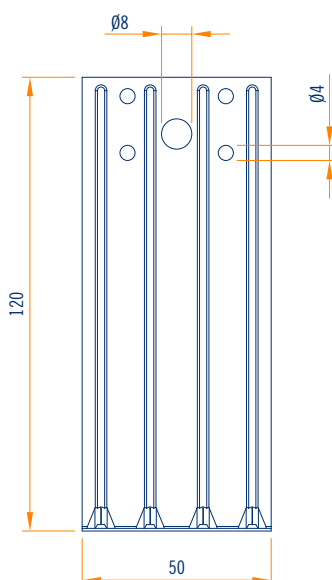


side view scale 1:2

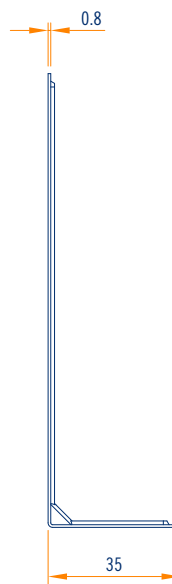
305/P100	L-Bracket 120x35	d 120x35 s 0.8	4.20	double wall	100 total pieces 1 package
-----------------	------------------	-------------------	------	-------------	-------------------------------



axonometric view scale 1:2



front view scale 1:2



side view scale 1:2

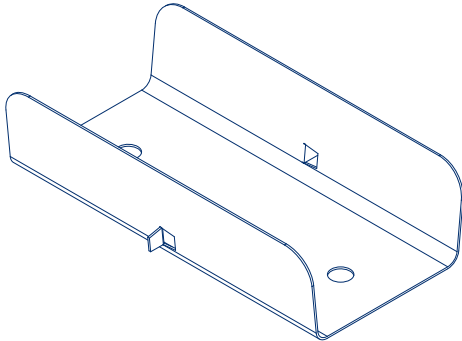
LONGITUDINAL JOINT

C/27/48/27

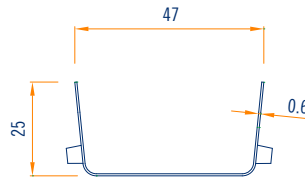
BASE 48

Item	Description	Dimension and thickness	Weight per package	Application	Sales unit
300/P100	longitudinal joint	d 27 s 0.6	4.70	suspended ceiling double wall	100 total pieces 1 package

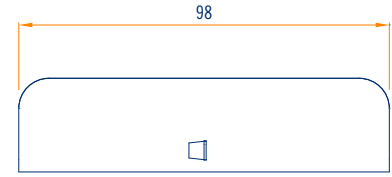
C/27/48/27



axonometric view scale 1:2



front view scale 1:2



side view scale 1:2

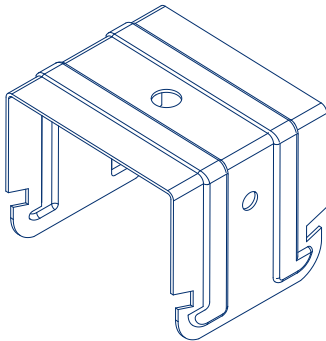
CLICK-ON ORTHOGONAL CONNECTOR ZINC-MAGNESIUM

C/27/48/27 BA

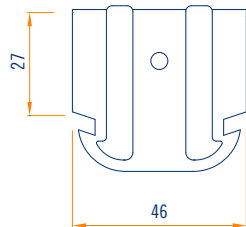


Item	Description	Dimension and thickness	Weight per package	Application	Sales unit
301/P100 (BA)	click-on orthogonal connector	d 27 s 0.8	4.80	suspended ceiling	100 total pieces 1 package

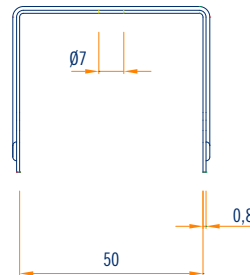
C/27/48/27 BA



axonometric view scale 1:2



front view scale 1:2



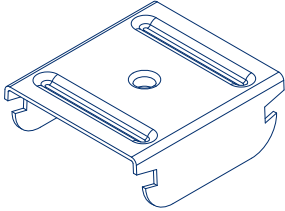
side view scale 1:2

SPACER CONNECTOR ZINC-MAGNESIUM

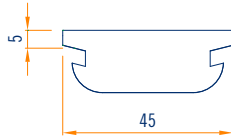
C/15/48/15 BA - C/27/48/27 BA



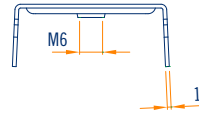
Item	Description	Dimension and thickness	Weight per package	Application	Sales unit
302/P100 (BA)	spacer connector with M6 threaded hole C/15/48/15 BA C/27/48/27 BA	d 5 s 1	3.10	suspended ceiling double wall	100 total pieces 1 package



axonometric view scale 1:2

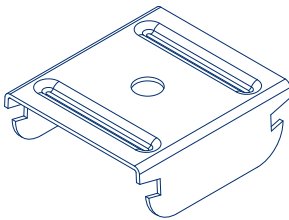


front view scale 1:2

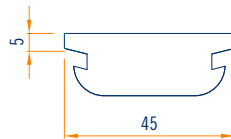


side view scale 1:2

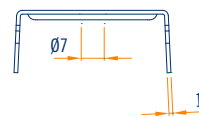
303/P100 (BA)	spacer connector through-hole $\varnothing 7$ C/15/48/15 BA C/27/48/27 BA	d 5 s 1	3.10	suspended ceiling double wall	100 total pieces 1 package
----------------------	---	------------	------	----------------------------------	-------------------------------



axonometric view scale 1:2



front view scale 1:2



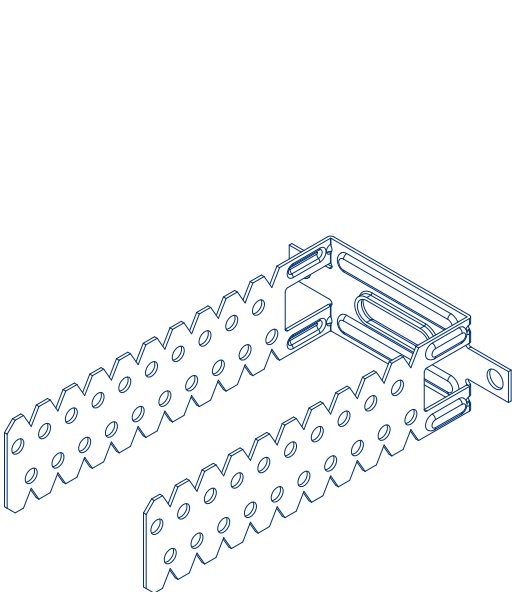
side view scale 1:2

ADJUSTABLE BRACKET 50X120 ZINC-MAGNESIUM

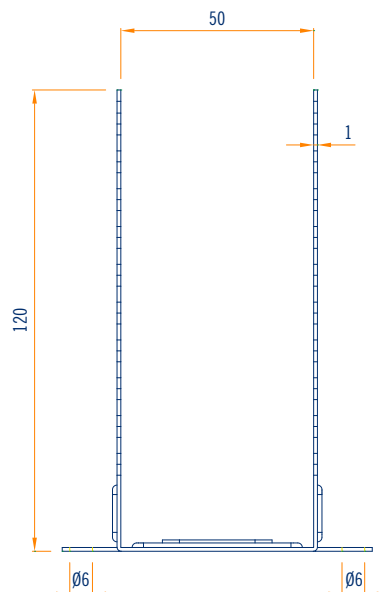
C/27/48/27 BA-BS



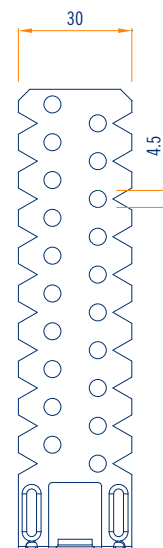
Item	Description	Dimension and thickness	Weight per package	Application	Sales unit
306/P100	adjustable bracket 50x120 C/27/48/27 BA-BS	d 50x120 s 1	5.80	suspended ceiling double wall	100 total pieces 1 package



axonometric view scale 1:2



front view scale 1:2



side view scale 1:2

ADJUSTABLE BRACKET WITH THROUGH-HOLE Ø 7 ZINC-MAGNESIUM

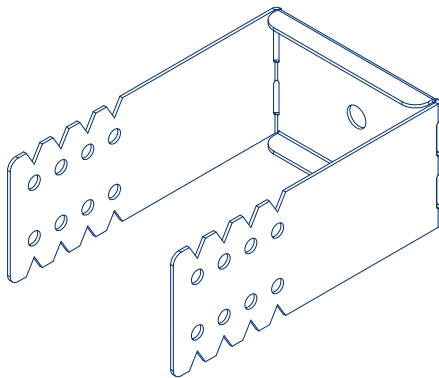
C/27/60/27 BI-BA

60X50-100-150-200-250-300-350-400-450-500

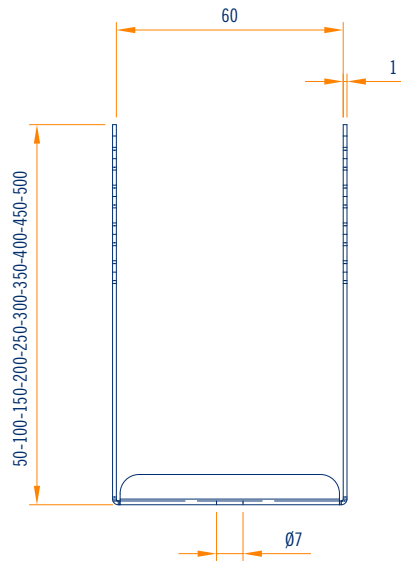
BASE 60



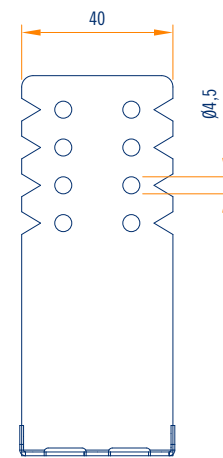
Item	Description	Dimension and thickness	Weight per package	Application	Sales unit
	adjustable bracket with through-hole Ø 7 C/27/60/27 BI-BA			suspended ceiling double wall	
310/P050ZM	60x50	d 50 s 1	3.50		50 total pieces 1 package
311/P050ZM	60x100	d 100 s 1	5.60		50 total pieces 1 package
312/P020ZM	60x150	d 150 s 1	3.10		20 total pieces 1 package
313/P020ZM	60x200	d 200 s 1	3.90		20 total pieces 1 package
314/P020ZM	60x250	d 250 s 1	4.75		20 total pieces 1 package
315/P020ZM	60x300	d 300 s 1	5.60		20 total pieces 1 package
316/P020ZM	60x350	d 350 s 1	6.40		20 total pieces 1 package
317/P020ZM	60x400	d 400 s 1	7.25		20 total pieces 1 package
318/P020ZM	60x450	d 450 s 1	8.10		20 total pieces 1 package
319/P020ZM	60x500	d 500 s 1	8.90		20 total pieces 1 package



axonometric view scale 1:2



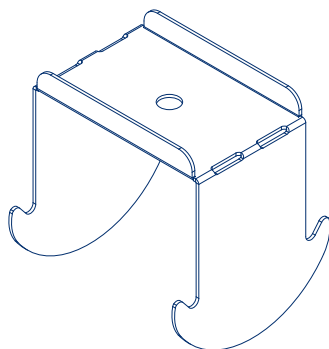
front view scale 1:2



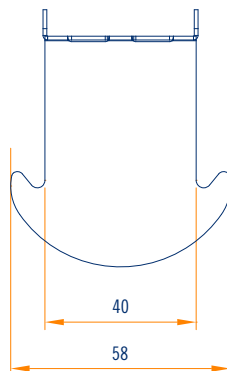
side view scale 1:2

CLICK-ON ORTHOGONAL CONNECTOR ZINC-MAGNESIUM**C/27/60/27 BI-BA**

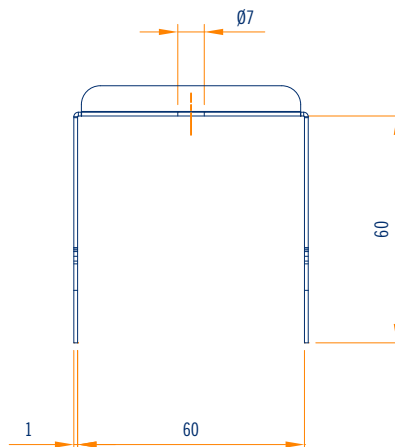
Item	Description	Dimension and thickness	Weight per package	Application	Sales unit
321/P100/AZM	click-on orthogonal connector C/27/60/27 BI-BA	s 0.8	4.80	suspended ceiling	100 total pieces 1 package



axonometric view scale 1:2



front view scale 1:2



side view scale 1:2

IMPORTANT RECOMMENDATIONS FOR USING AND STORING PRODUCTS

CE Marking

Please note that each product is part of a hanging/connection kit for connecting to the upper anchoring system and to the supporting element in dry construction systems **for use inside buildings**. The various components are identified in the catalogue and price list with the CE logo.

Each CE product has a Declaration of Performance (DOP).

Durability: class B (Components of a building exposed to variable relative humidity up to 90% and to variable temperatures up to 30°C but with no exposure to corrosive pollution agents).

Recommendations for storing metal framing elements

We recommend to store packages in a covered area with a relatively dry atmosphere and as constant a temperature as possible, to avoid condensation that could consume the passivation coat protecting the galvanised surface.

If stored outdoors (**not recommended**), please cover so as to ensure the material is fully protected against adverse weather conditions (rain, fog, snow), making sure the packages are stored in a slightly inclined position. The cover must nevertheless ensure sufficient airflow (the two surfaces must not be in direct contact) so that moisture does not settle and create condensation.



Metalstampi s.r.l.
Vicolo Biban, 7
31030 Biban di Carbonera (TV) Italy
Tel. +39 0422 398250
export@metalstampi.com
www.metalstampi.com