

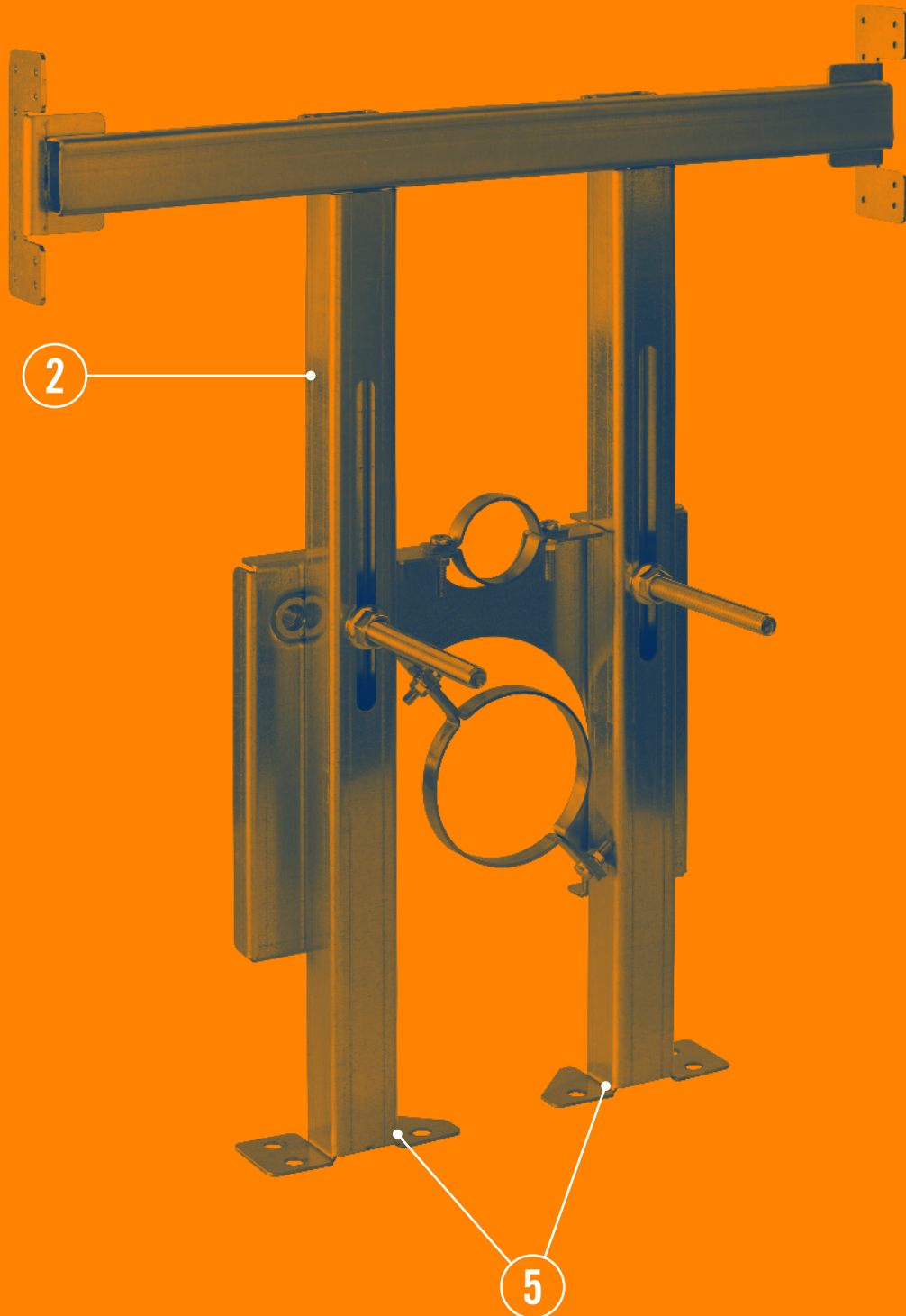
---

# SUPPORT FRAMES FOR SANITARY FITTINGS AQUAFRAME ERGONOMIC



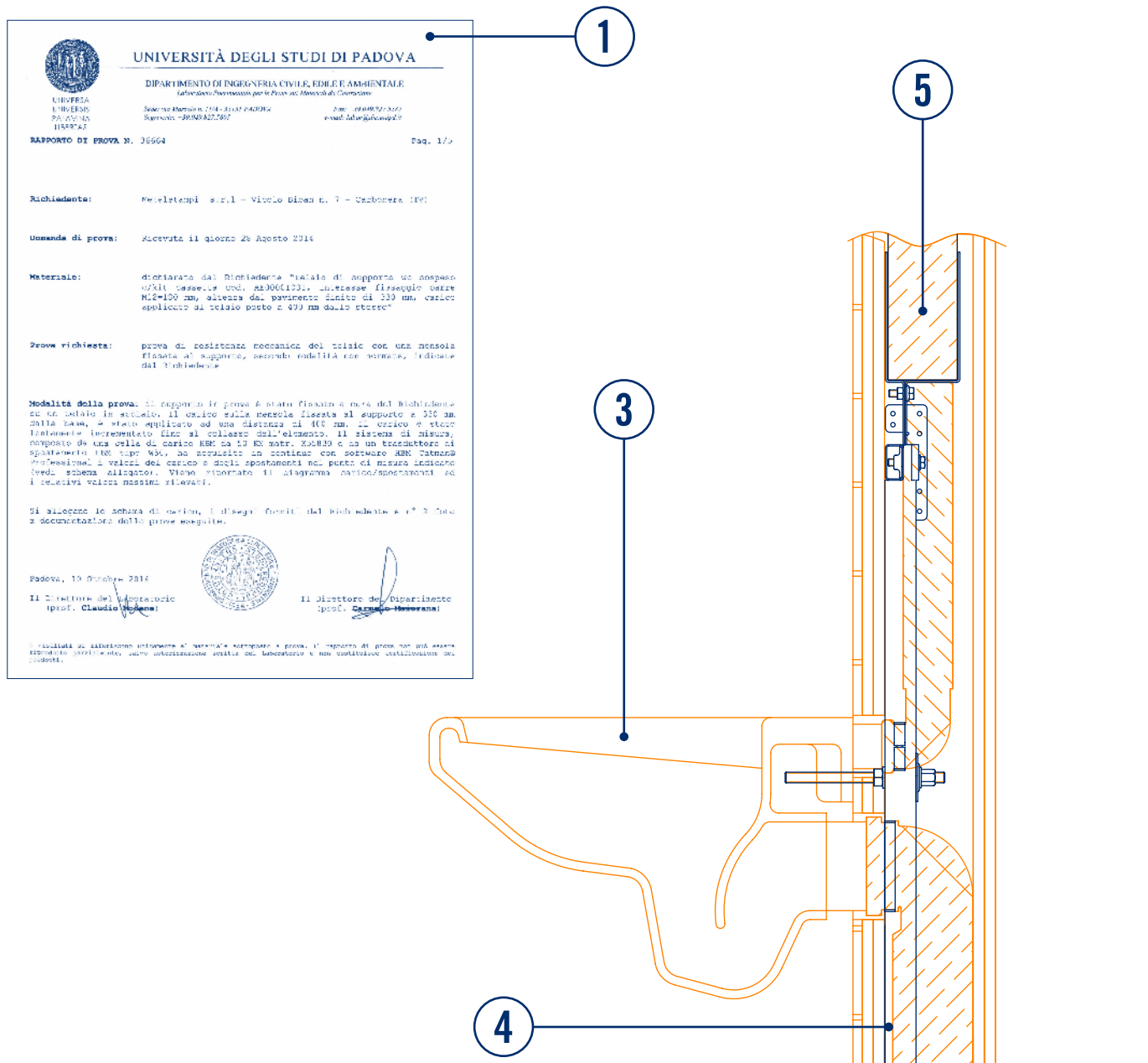
METALSTAMPI

# SUPPORT FRAMES FOR SANITARY FITTINGS AQUAFRAME ERGONOMIC

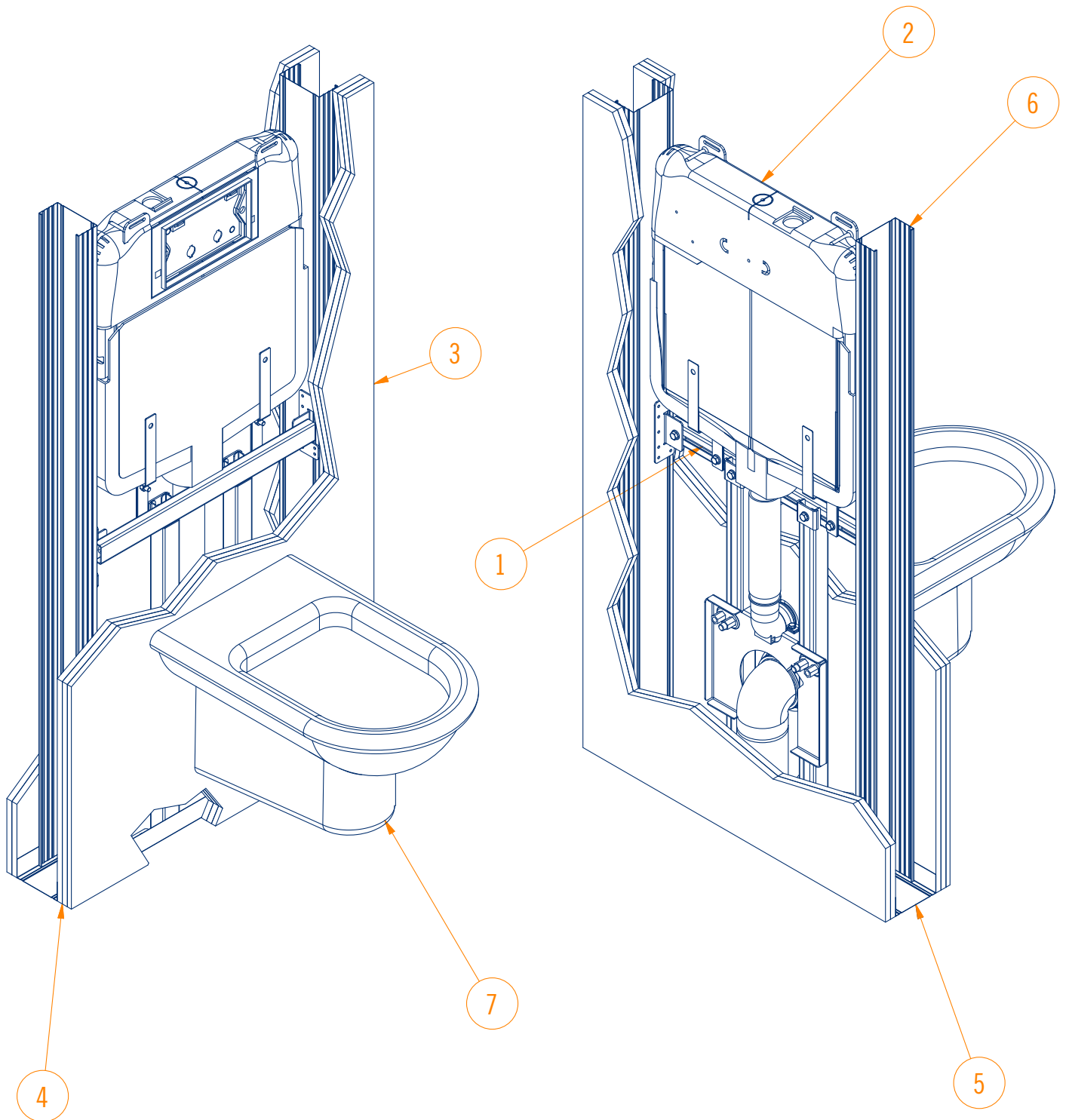


# STRENGTHS

- 1 — Laboratory tested products with determination of the breaking load.
- 2 — Steel kit installed on the different types of metal structure.
- 3 — Products built to support standard wall-mounted ceramic sanitaryware (washbasins, toilets), and technical systems in plasterboard walls.
- 4 — Built to adhere to the coating (to avoid subsequent cracking).
- 5 — Reduced cavity spaces.
- 6 — Products can be custom-made (vertical feet can be extended to recover work site quotas, adaptation of frames for suspension of ceramic sanitaryware or particular loads).

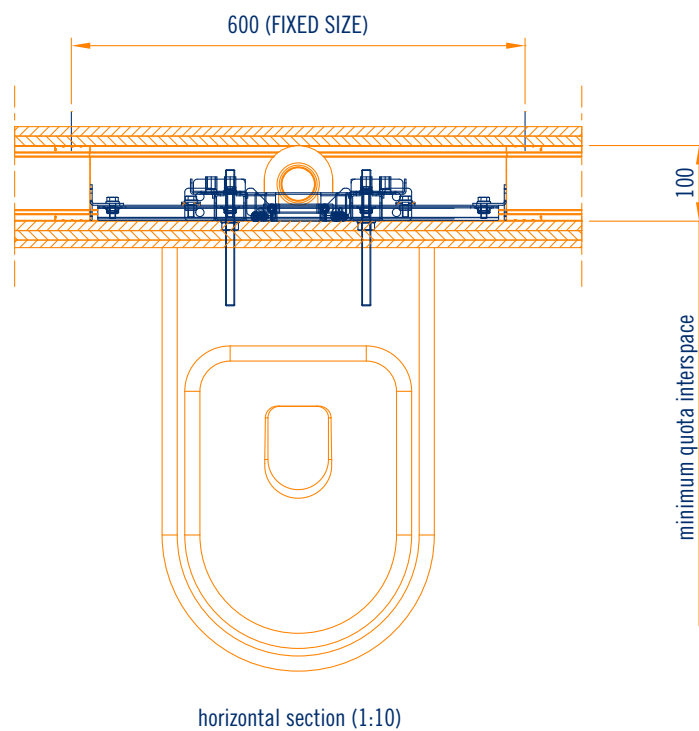
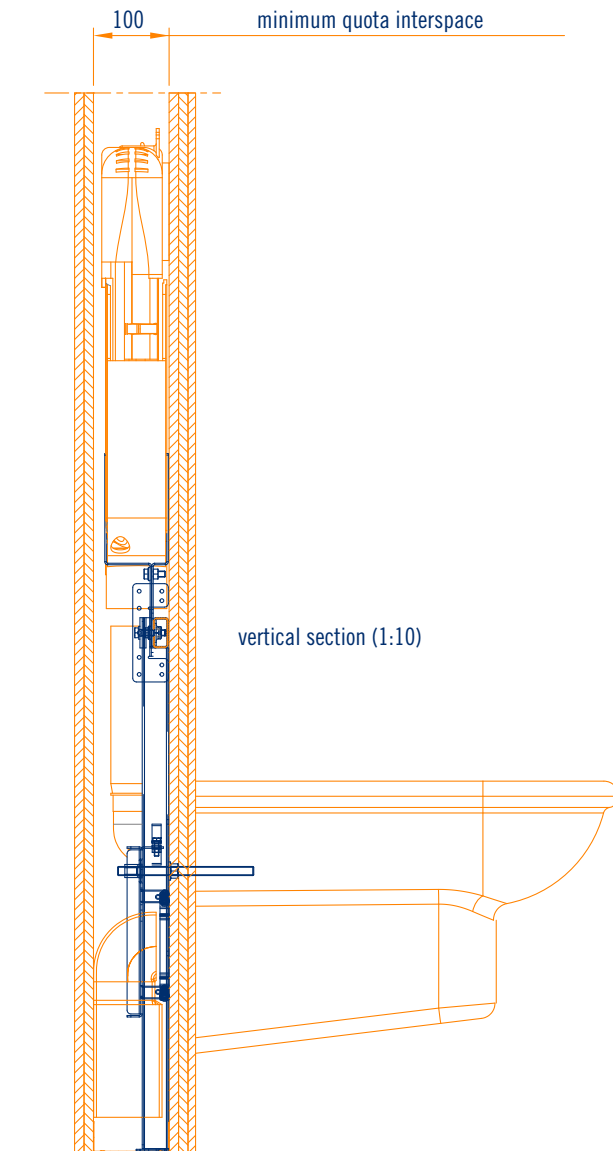


## AXONOMETRIC VIEW APPLICATION METALSTAMPI PRODUCTS AQUAFRAME SUPPORT FRAMES FOR SANITARY FITTINGS



Pos.	Description	Code
1	CARRIER FRAME FOR WALL-HUNG TOILET WITH CISTERN KIT	AE00001031
2	EXTERNAL WC CISTERN	
3	CERAMIC CLADDING	
4	CLADDING WITH A MINIMUM OF 2 SHEETS OF PLASTERBOARD WIDTH 12.5 X 2 mm	
5	U-TRACK U/40/100/40/3000/0.6	PU100403000
6	C-STUD C/50/99/47/3000/0.6	PC100503000
7	SUPPORT FRAME FOR SANITARY FITTINGS	

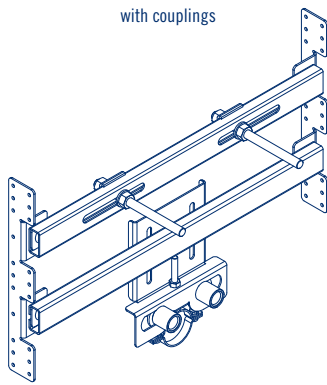
# APPLICATION SECTIONS



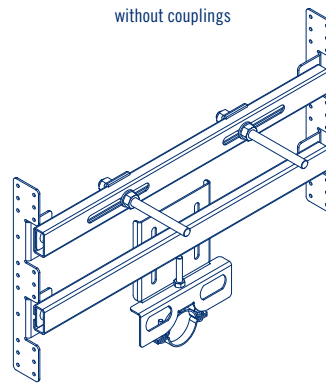
# CARRIER FRAME FOR WALL-HUNG WASH BASIN WITH OR WITHOUT COUPLINGS

M-F DA 1/2

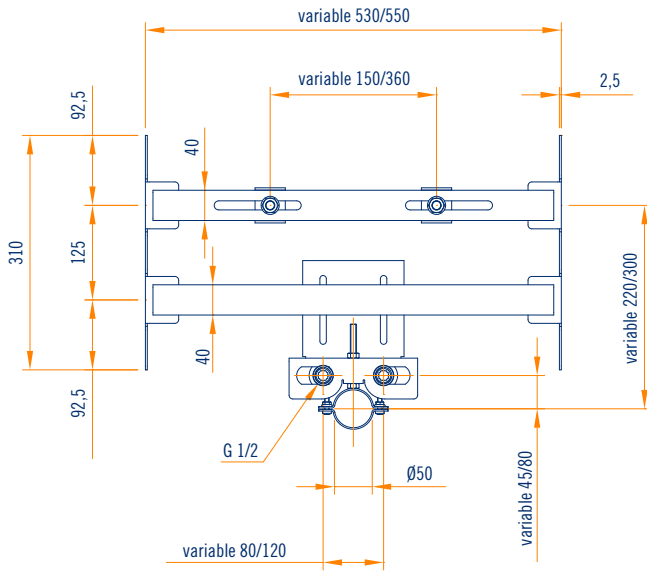
Item	Description	Dimension and thickness	Weight per package	Application	Sales unit
<b>AE00001010</b>	carrier frame for wall-hung wash basin with 1/2" M-F couplings	b 550 h 310 p 47 s 1.5 - 2.5	4.24	wall	1 piece
<b>AE00001011</b>	carrier frame for wall-hung wash basin without couplings	b 550 h 310 p 47 s 1.5 - 2.5	4.00	wall	1 piece



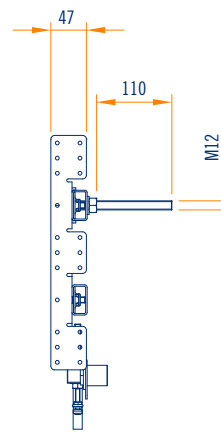
axonometric view scale 1:10



axonometric view scale 1:10



front view scale 1:10

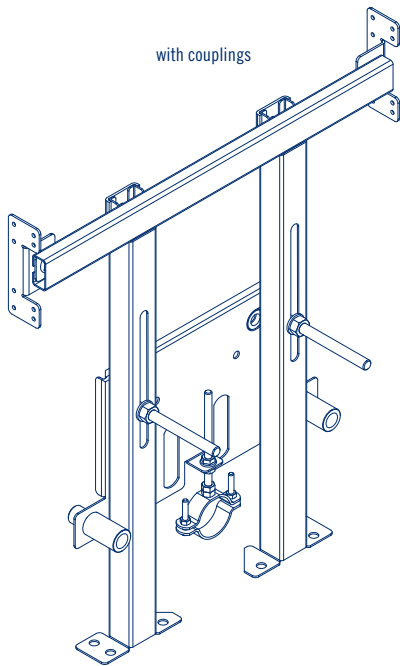


side view scale 1:10

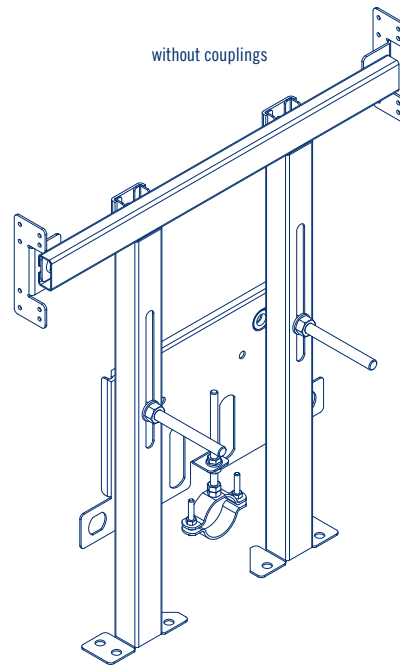
# CARRIER FRAME FOR WALL-HUNG BIDET WITH OR WITHOUT COUPLINGS

M-F DA 1/2

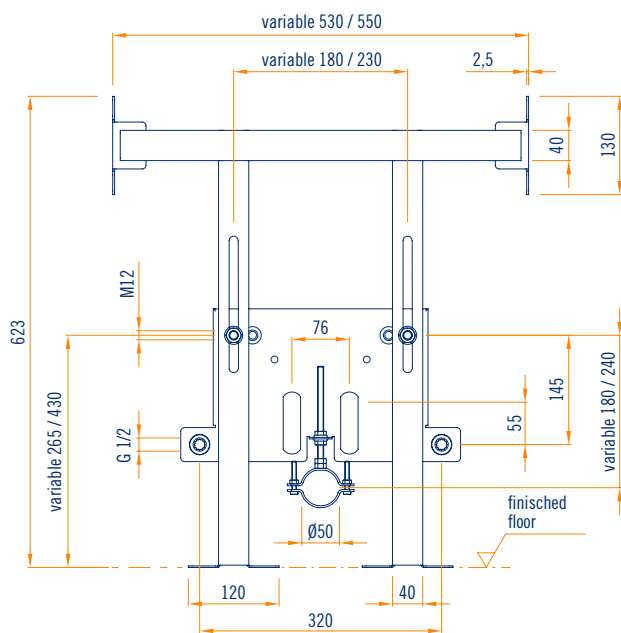
Item	Description	Dimension and thickness	Weight per package	Application	Sales unit
AE00001020	carrier frame for wall-hung bidet with 1/2" M-F couplings	b 550 h 623 p 80 s 1.5 - 3	6.23	wall	1 piece
AE00001021	carrier frame for wall-hung bidet without couplings	b 550 h 623 p 80 s 1.5 - 3	5.89	wall	1 piece



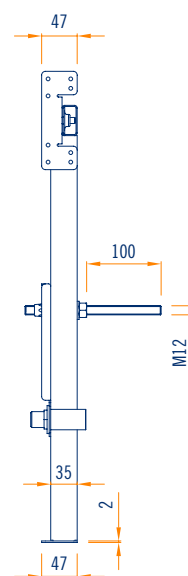
axonometric view scale 1:10



axonometric view scale 1:10



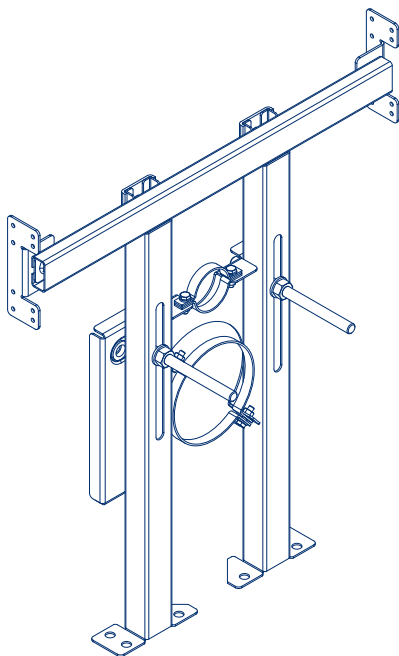
front view scale 1:10



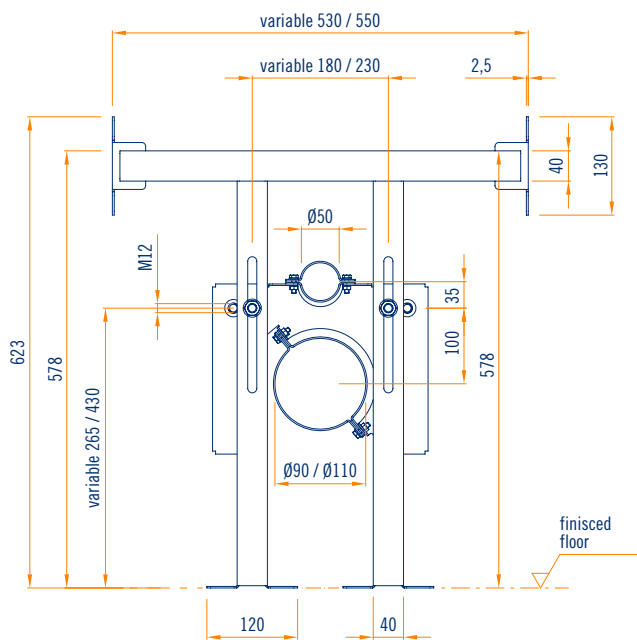
side view scale 1:10

# CARRIER FRAME FOR WALL-HUNG TOILET WITHOUT CISTERN KIT

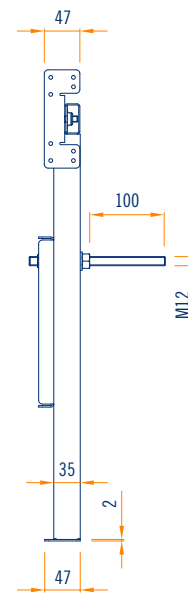
Item	Description	Dimension and thickness	Weight per package	Application	Sales unit
AE00001030	carrier frame for wall-hung toilet without cistern kit	b 550 h 623 p 80 s 1.5 - 3	5.73	wall	1 piece



axonometric view scale 1:10



front view scale 1:10

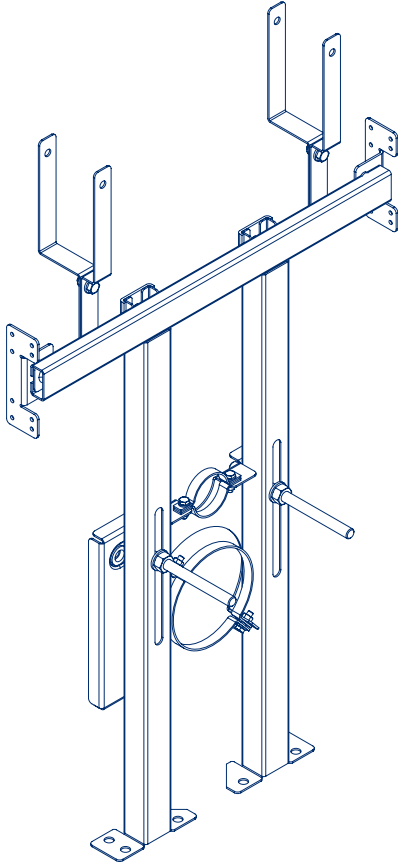


side view scale 1:10

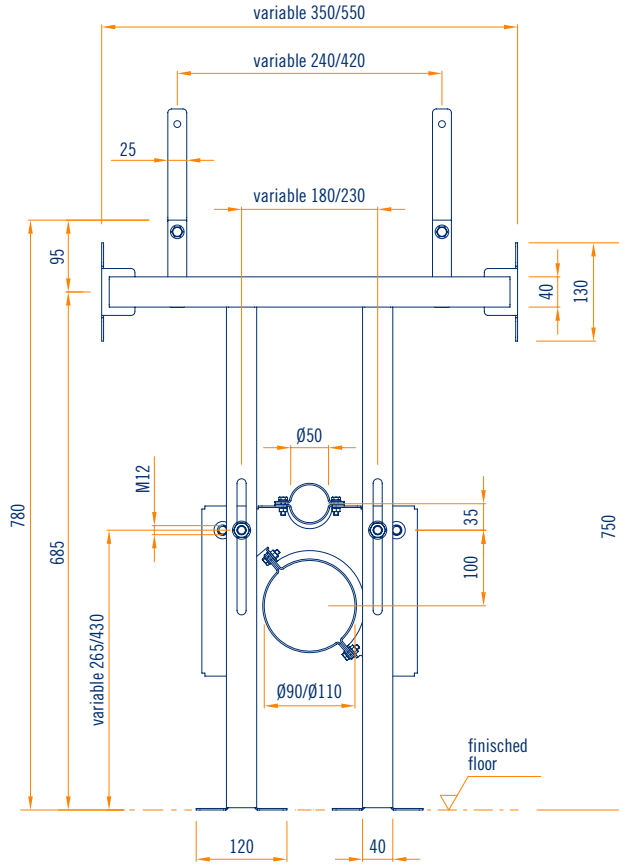


# CARRIER FRAME FOR WALL-HUNG TOILET WITH CISTERN KIT

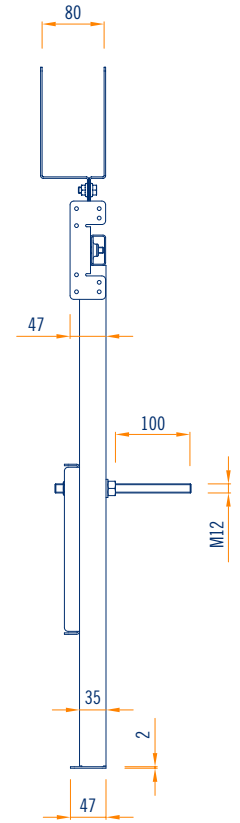
Item	Description	Dimension and thickness	Weight per package	Application	Sales unit
AE00001031	carrier frame for wall-hung toilet with cistern kit	b 550 h 750 p 80 s 1.5 - 3	6.57	wall	1 piece



axonometric view scale 1:10



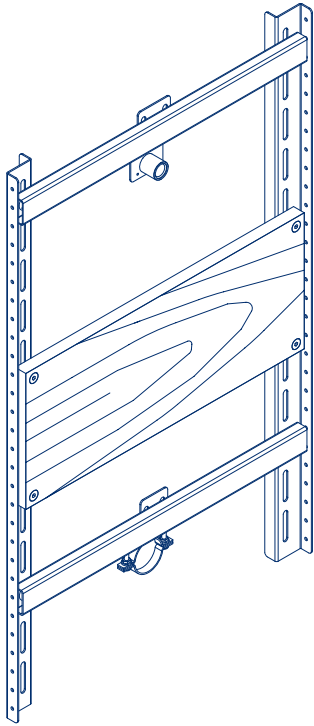
front view scale 1:10



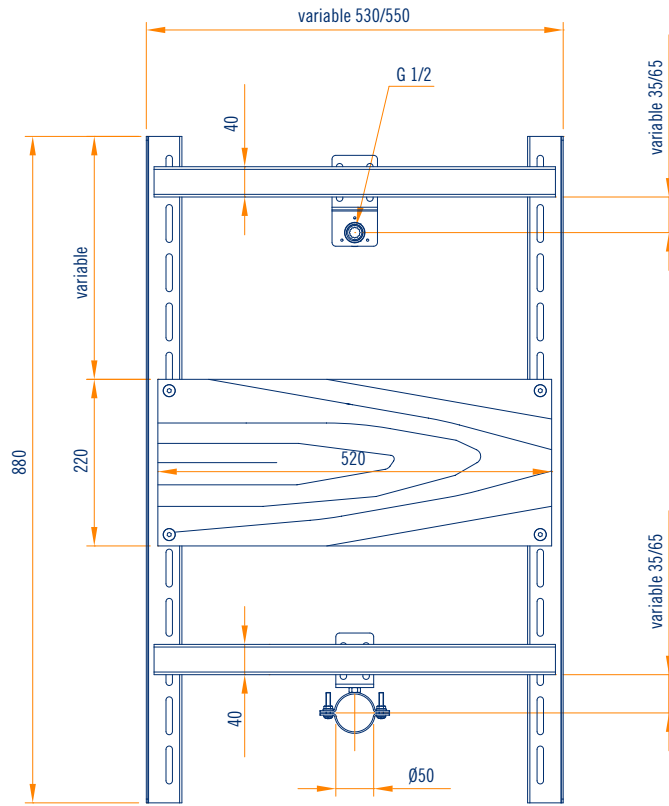
side view scale 1:10

# WALL-HUNG CARRIER FRAME FOR WALL-MOUNTED URINAL

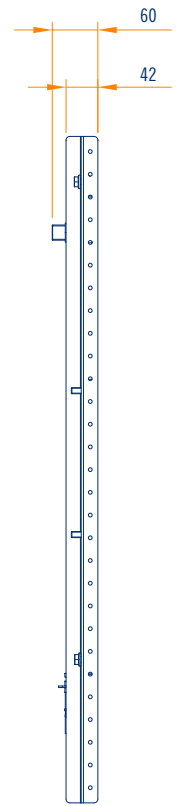
Item	Description	Dimension and thickness	Weight per package	Application	Sales unit
<b>AE00001035</b>	wall-hung carrier frame for wall-mounted urinal	b 550 h 880 p 60 s 1.5 - 2	6.57	wall	1 piece



axonometric view scale 1:10



front view scale 1:10

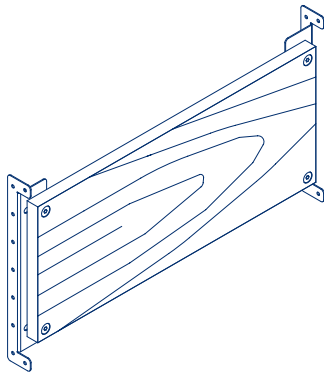


side view scale 1:10

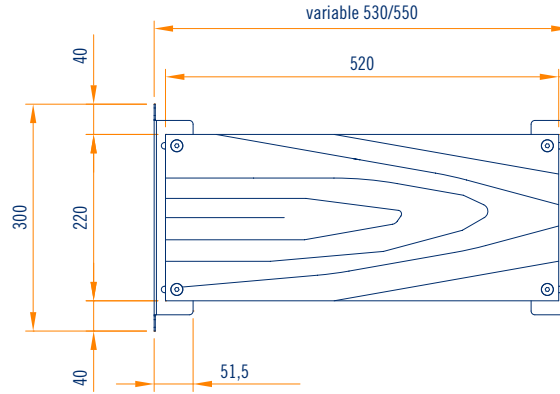
# UNIVERSAL CARRIER FRAME

## 520X220X20

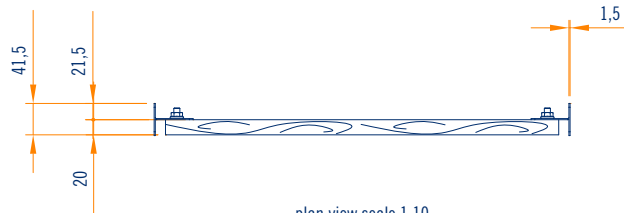
Item	Description	Dimension and thickness	Weight per package	Application	Sales unit
<b>AE00001040</b>	universal carrier frame	b 550 h 300 p 41.5 s 1.5 - 20	2.50	wall	1 piece



axonometric view scale 1:10



front view scale 1:10

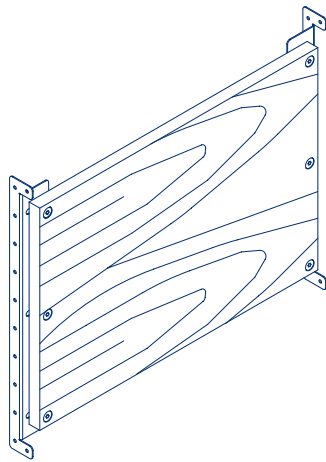


plan view scale 1:10

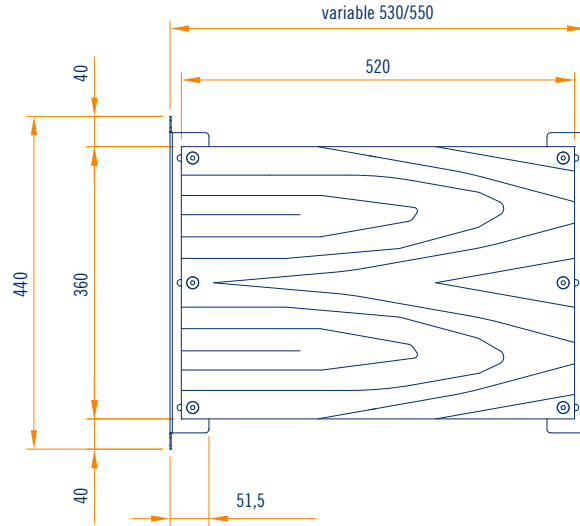
# UNIVERSAL CARRIER FRAME

## 520X360X20

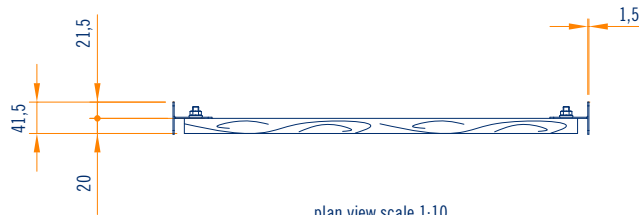
Item	Description	Dimension and thickness	Weight per package	Application	Sales unit
AE00001041	universal carrier frame	b 550 h 440 p 41.5 s 1.5 - 20	3.50	wall	1 piece



axonometric view scale 1:10



front view scale 1:10

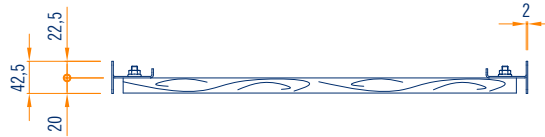
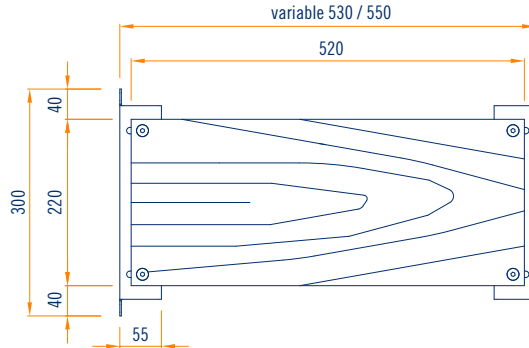
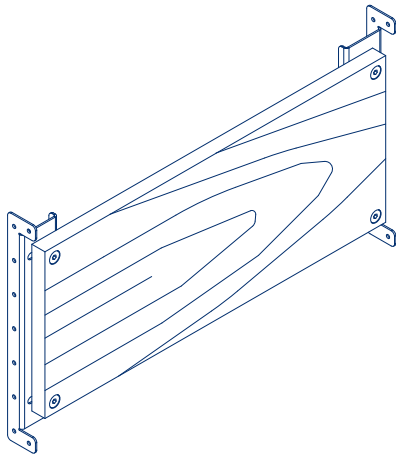


plan view scale 1:10

# UNIVERSAL CARRIER FRAME FOR HEAVY LOADS

520X220X20

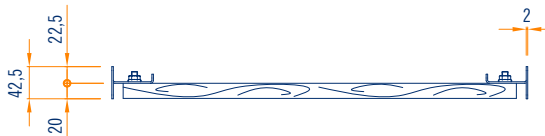
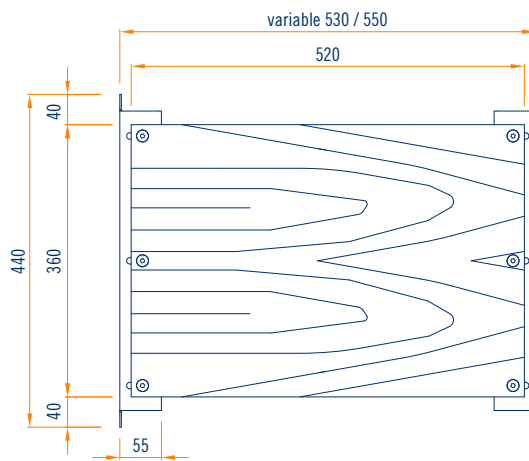
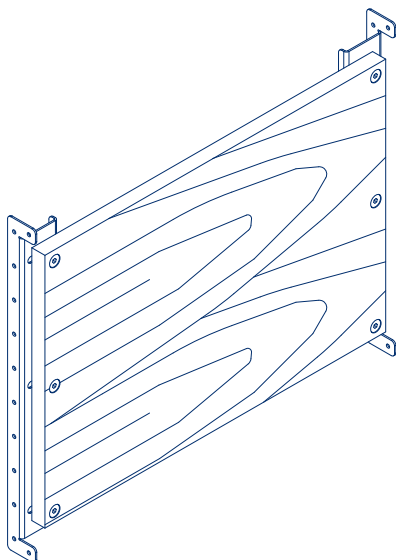
Item	Description	Dimension and thickness	Weight per package	Application	Sales unit
AE00001042	universal carrier frame for heavy loads	b 550 h 300 p 42.5 s 1.5 - 20	2.70	wall	1 piece



# UNIVERSAL CARRIER FRAME FOR HEAVY LOADS

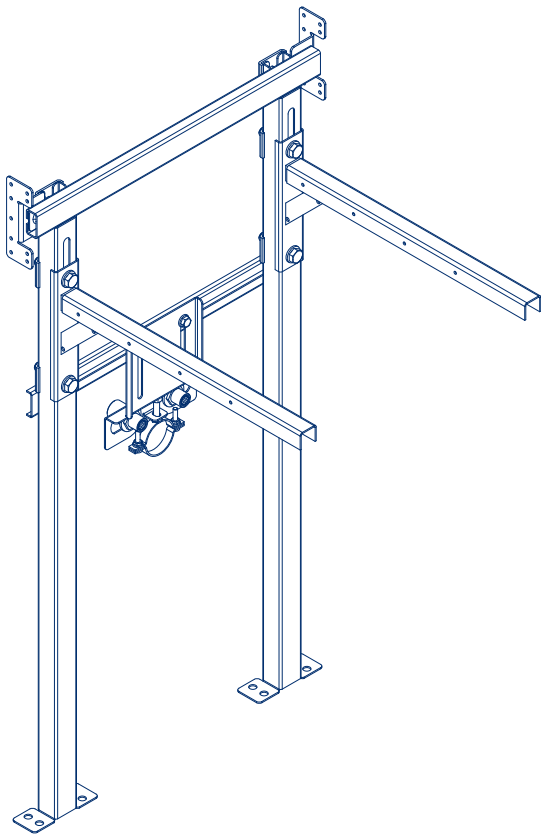
520X360X20

Item	Description	Dimension and thickness	Weight per package	Application	Sales unit
AE00001043	universal carrier frame for heavy loads	b 530 h 440 p 42.5 s 2 - 20	3.80	wall	1 piece

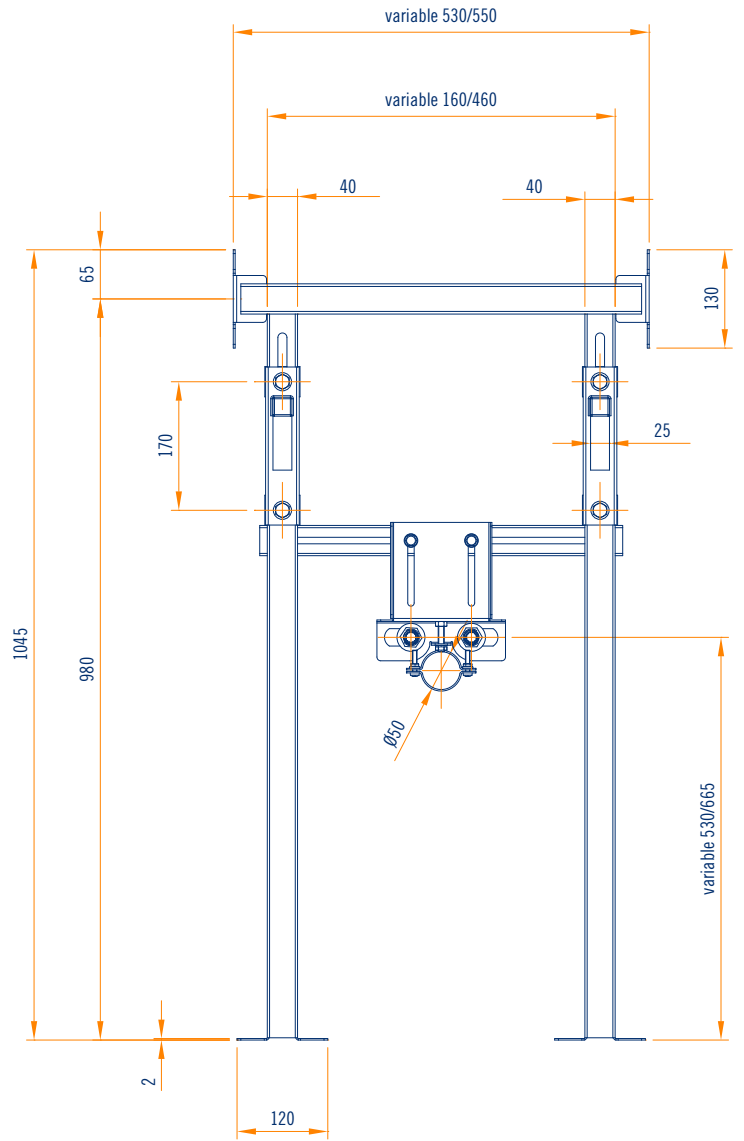


# WALL-HUNG UNIVERSAL CARRIER FRAME FOR WASHBASIN

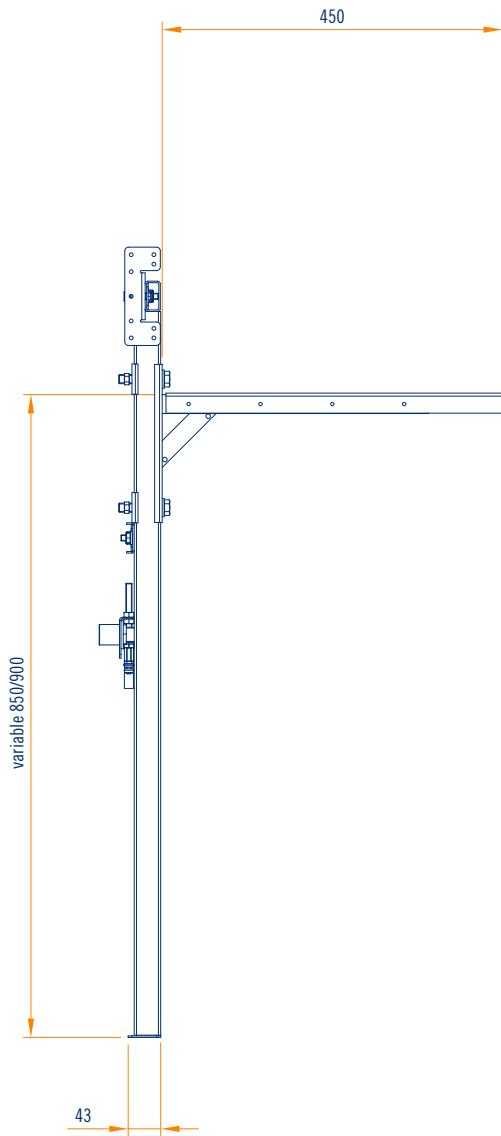
Item	Description	Dimension and thickness	Weight per package	Application	Sales unit
AE00001045	wall-hung universal carrier frame for heavy loads, for washbasin	b 550 h 1045 p 47 / 450 s 1.5 - 3	8.40	wall	1 piece



axonometric view scale 1:10



front view scale 1:10

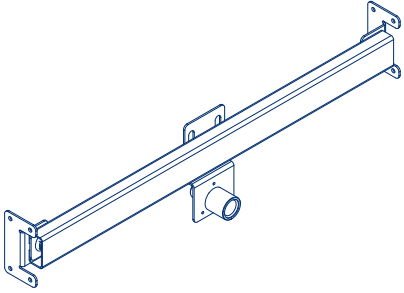


side view scale 1:10

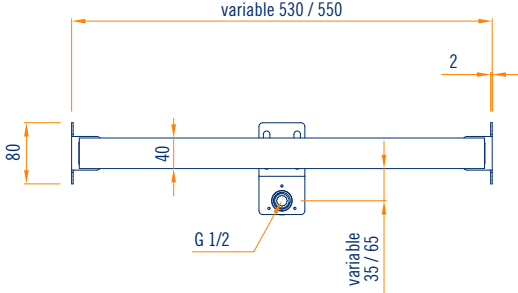
## FRAME FOR SHOWER HEAD

Item	Description	Dimension and thickness	Weight per package	Application	Sales unit
AE00001050	frame for shower head	b 530 h 80 p 47 s 1.5 - 2	1.38	wall	1 piece

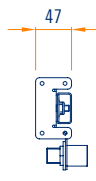
  



axonometric view scale 1:10



front view scale 1:10

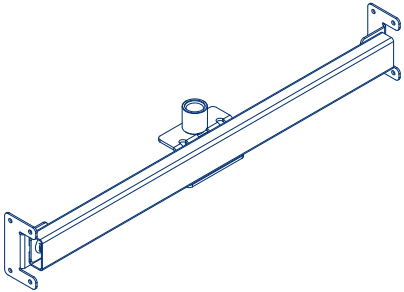


side view scale 1:10

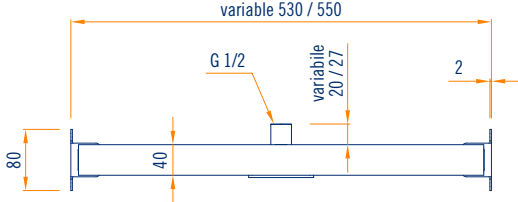
## FRAME FOR INTERNAL WATER MIXER

Item	Description	Dimension and thickness	Weight per package	Application	Sales unit
AE00001060	frame for internal water mixer	b 530 h 80 p 47 s 1.5 - 2.5	1.38	wall	1 piece

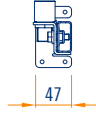
  



axonometric view scale 1:10



front view scale 1:10

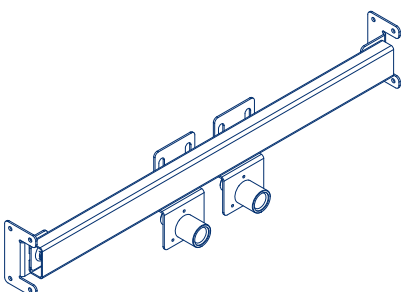


side view scale 1:10

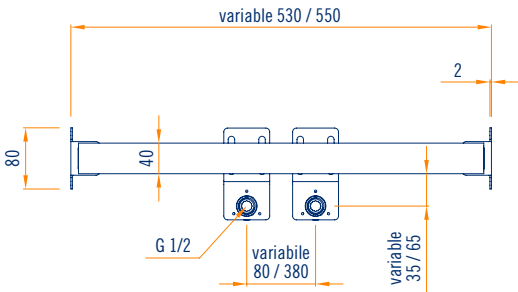
## FRAME FOR EXTERNAL WATER MIXER FOR BATHTUB, SHOWER, WATER HEATER, OR WASH BASIN

Item	Description	Dimension and thickness	Weight per package	Application	Sales unit
AE00001070	frame for external water mixer for bathtub, shower, water heater, or wash basin	b 530 h 80 p 47 s 1.5 - 2	1.64	wall	1 piece

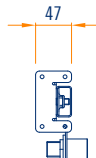
  



axonometric view scale 1:10



front view scale 1:10

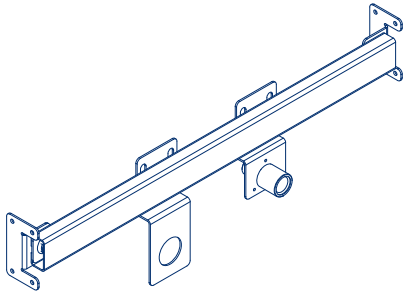


side view scale 1:10

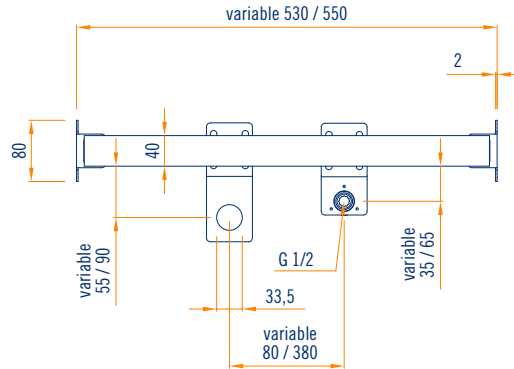


# FRAME WITH COUPLINGS FOR WASHING MACHINES AND DISHWASHERS

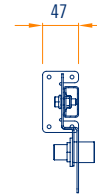
Item	Description	Dimension and thickness	Weight per package	Application	Sales unit
<b>AE00001080</b>	frame with couplings for washing machines and dishwashers	b 530 h 80 p 47 s 1.5 - 2	1.64	wall	1 piece



axonometric view scale 1:10



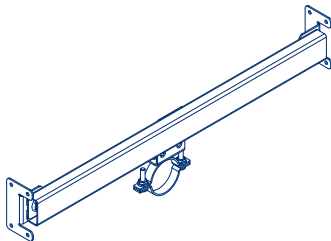
front view scale 1:10



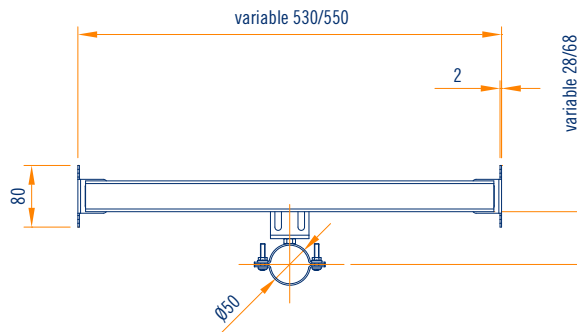
side view scale 1:10

# FRAME WITH COUPLINGS FOR SEWAGE PIPES Ø 50

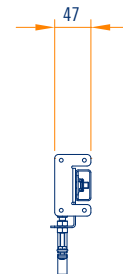
Item	Description	Dimension and thickness	Weight per package	Application	Sales unit
<b>AE00001081</b>	frame with couplings for washing machines and dishwashers	b 530 h 80 p 47 s 1.5 - 2	1.64	wall	1 piece



axonometric view scale 1:10



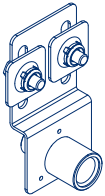
front view scale 1:10



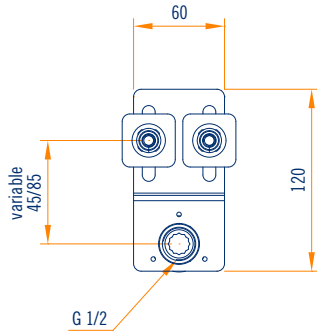
side view scale 1:10

## Z BRACKET WITH COUPLING

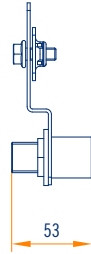
Item	Description	Dimension and thickness	Weight per package	Application	Sales unit
<b>AE00001082</b>	frame with couplings for washing machines and dishwashers	b 530 h 80 p 47 s 1.5 - 2	1.64	wall	1 piece



axonometric view scale 1:5



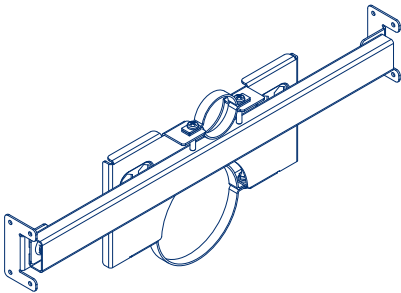
front view scale 1:5



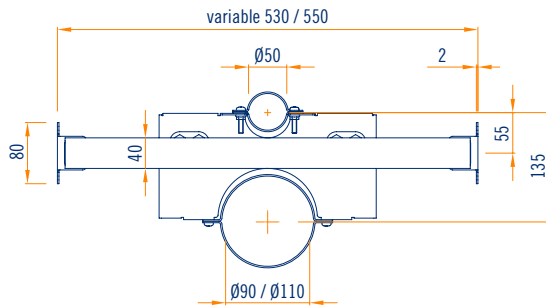
side view scale 1:5

## FRAME WITH COUPLINGS FOR FLOOR-MOUNTED BACK-TO-WALL TOILETS

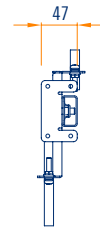
Item	Description	Dimension and thickness	Weight per package	Application	Sales unit
<b>AE00001090</b>	frame with couplings for floor-mounted back-to-wall toilets	b 530 h 80 p 47 s 1.5 - 2	2.14	wall	1 piece



axonometric view scale 1:10



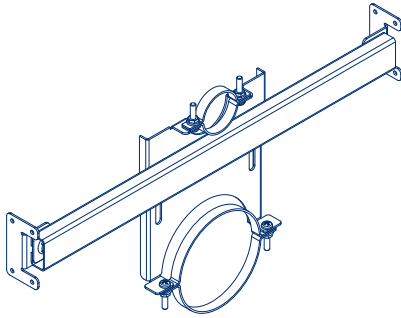
front view scale 1:10



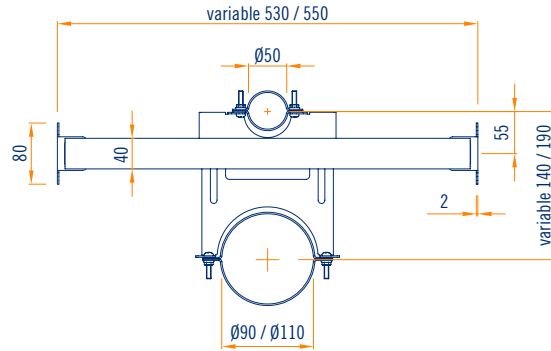
side view scale 1:10

## FRAME WITH COUPLINGS FOR FLOOR-MOUNTED BACK-TO-WALL TOILET ADJUSTABLE FROM 140 TO 190

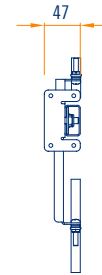
Item	Description	Dimension and thickness	Weight per package	Application	Sales unit
AE00001091	frame with couplings for floor-mounted back-to-wall toilet	b 530 h 80 p 47 s 1.5 - 2	2.65	wall	1 piece



axonometric view scale 1:10



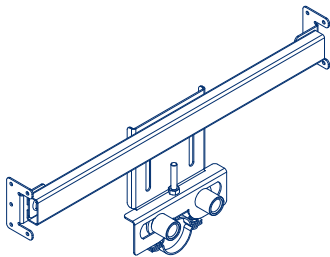
front view scale 1:10



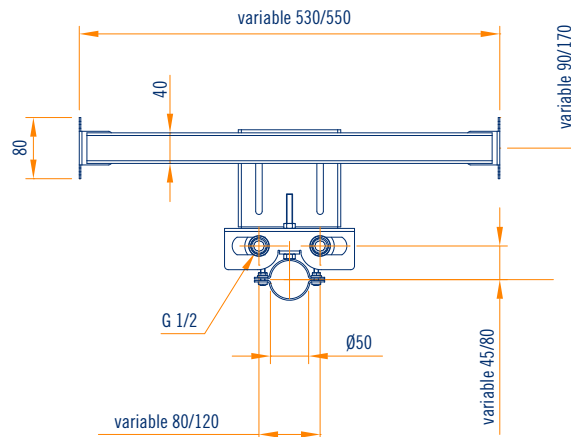
side view scale 1:10

## FRAME WITH COUPLINGS FOR FLOOR-MOUNTED BIDET

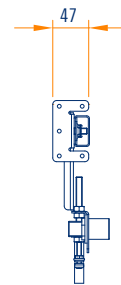
Item	Description	Dimension and thickness	Weight per package	Application	Sales unit
AE00001100	frame with couplings for floor-mounted bidet	b 530 h 80 p 47 s 1.5 - 2	2.65	wall	1 piece



axonometric view scale 1:10



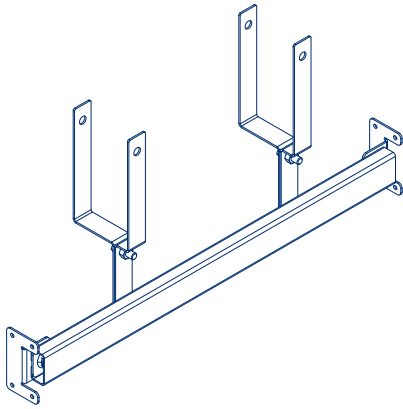
front view scale 1:10



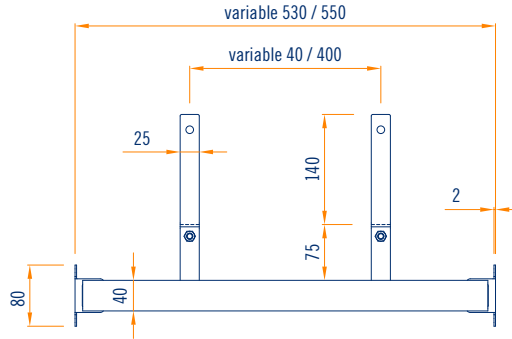
side view scale 1:10

# FRAME FOR TOILET CISTERN KIT

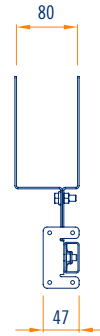
Item	Description	Dimension and thickness	Weight per package	Application	Sales unit
<b>AE00001110</b>	frame for toilet cistern kit	b 530 h 80 p 47 s 1.5 - 2	1.98	wall	1 piece



axonometric view scale 1:10



front view scale 1:10

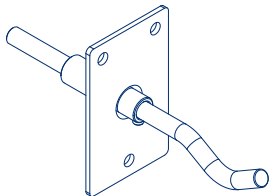


side view scale 1:10

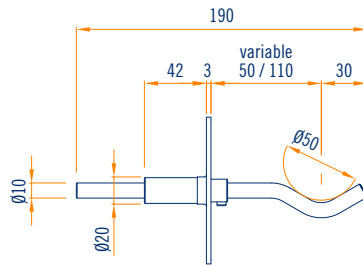
# RADIATOR BRACKET 50/110

SPACING FROM 50 TO 110 MM

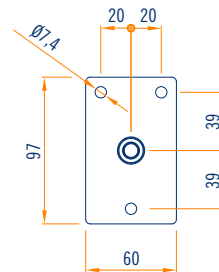
Item	Description	Dimension and thickness	Weight per package	Application	Sales unit
<b>AE00001120</b>	radiator bracket spacing 50/110	b 60 h 97 p 50/110 s 1.5 - 2	7.00	wall	1 piece



axonometric view scale 1:5



front view scale 1:5

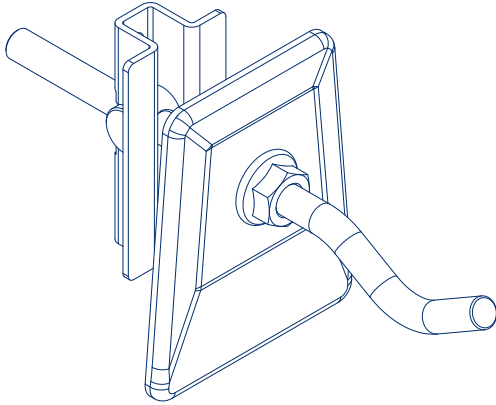


side view scale 1:5

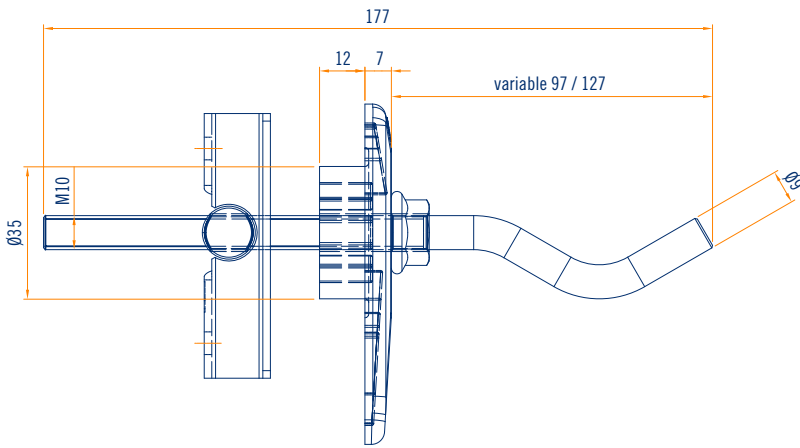
# RADIATOR BRACKET PAINTED WHITE CENTRE-TO-CENTRE TO BE FASTENED WITH SELFSTABILIZING FASTENERS

SPACING FROM 97 TO 127 MM

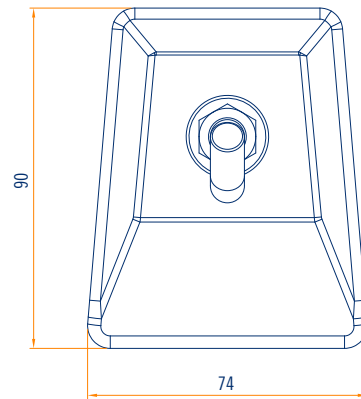
Item	Description	Dimension and thickness	Weight per package	Application	Sales unit
<b>AE00001130</b>	radiator bracket painted white centre-to-centre 97/12	b 60 h 97 p 97/1127 s 2	0.45	wall	2 pieces



axonometric view scale 1:2



front view scale 1:2



side view scale 1:2

# IMPORTANT RECOMMENDATIONS FOR USING AND STORING PRODUCTS

## CE Marking

Please note that each product is part of a hanging/connection kit for connecting to the upper anchoring system and to the supporting element in dry construction systems **for use inside buildings**. The various components are identified in the catalogue and price list with the CE logo.

**Each CE product has a Declaration of Performance (DOP).**

**Durability: class B** (Components of a building exposed to variable relative humidity up to 90% and to variable temperatures up to 30°C but with no exposure to corrosive pollution agents).

## Recommendations for storing metal framing elements

We recommend to store packages in a covered area with a relatively dry atmosphere and as constant a temperature as possible, to avoid condensation that could consume the passivation coat protecting the galvanised surface.

If stored outdoors (**not recommended**), please cover so as to ensure the material is fully protected against adverse weather conditions (rain, fog, snow), making sure the packages are stored in a slightly inclined position. The cover must nevertheless ensure sufficient airflow (the two surfaces must not be in direct contact) so that moisture does not settle and create condensation.



**Metalstampi s.r.l.**  
Vicolo Biban, 7  
31030 Biban di Carbonera (TV) Italy  
Tel. +39 0422 398250  
export@metalstampi.com  
www.metalstampi.com